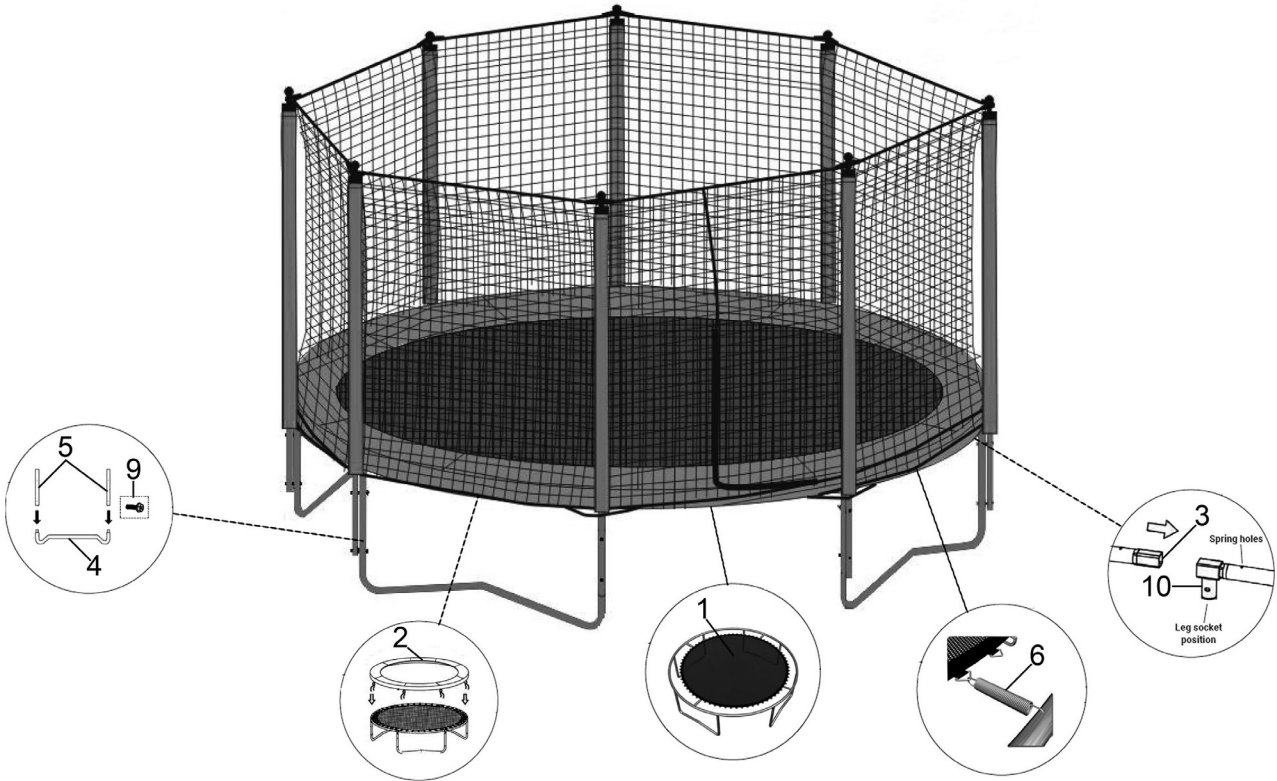
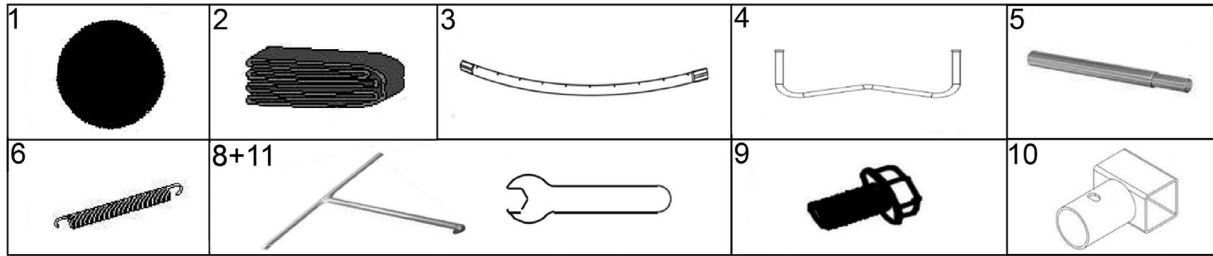


**A**



Item	Part No.	Description	Qty
1	DL10070	Trampoline Mat	1
2	DL10078	Frame Pad	1
3	DL10159	Top Rail	6
4	DL10160	Leg Base	3
5	DL10161	Vertical Leg Extension	6

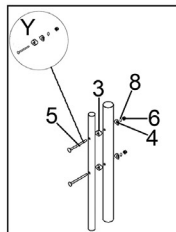
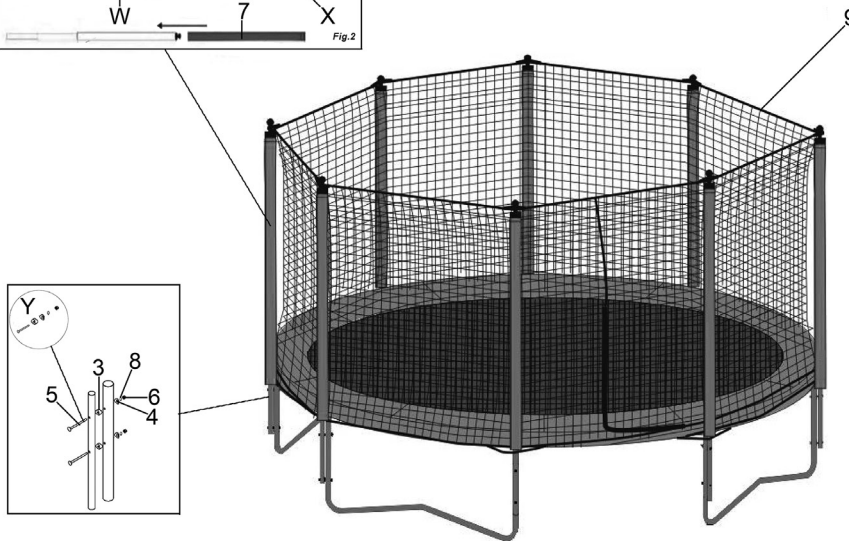
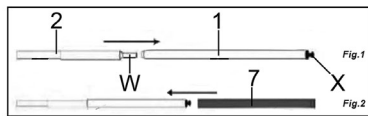
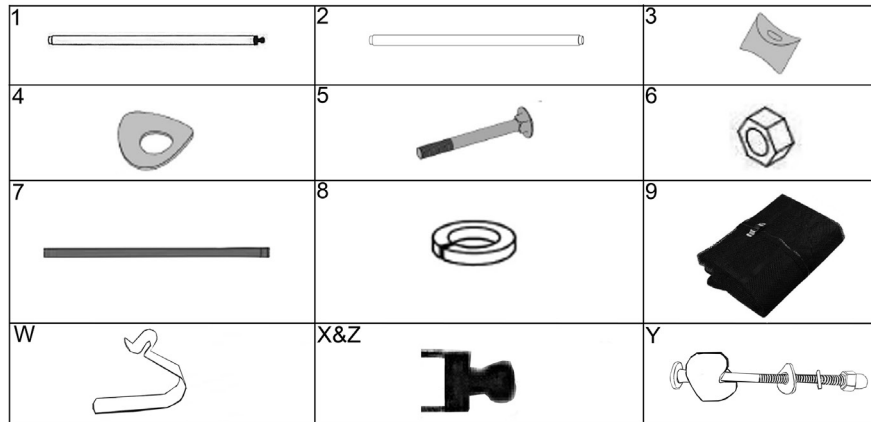
Item	Part No.	Description	Qty
6	DL10158	Spring	48
8+11	DL10088	Hardware Kit	1
9	DL10173	Bolt	6
10	DL10082	T-Connector	6

**NOTE:** It is our policy to continually improve products and as such we reserve the right to alter data, specifications and component parts without prior notice. There may be alternative versions of this product, please contact us should you require this information.

**IMPORTANT:** No liability is accepted for incorrect use of product. Spare parts must be fitted by a competent person

**WARRANTY:** Guarantee is 12 months from purchase date, proof of which will be required for any claim.

**B**



Item	Part No.	Description	Qty
1	DL10154	Safety Net Upper Pole A	6
2	DL10155	Safety Net Upper Pole B	6
7	DL10157	PE Sleeves	6
9	DL10074	Trampoline Net	1

Item	Part No.	Description	Qty
W	DL10175	Spring Clip	6
X+Z	DL10083	Cap (c/w Screw)	6
Y	DL10172	Fixing Kit (c/w Parts 3, 4, 5, 6 & 8)	12
--	DL10174	Screw, Plastic Cap (Not Shown)	6

**NOTE:** It is our policy to continually improve products and as such we reserve the right to alter data, specifications and component parts without prior notice. There may be alternative versions of this product, please contact us should you require this information.

**IMPORTANT:** No liability is accepted for incorrect use of product. Spare parts must be fitted by a competent person

**WARRANTY:** Guarantee is 12 months from purchase date, proof of which will be required for any claim.