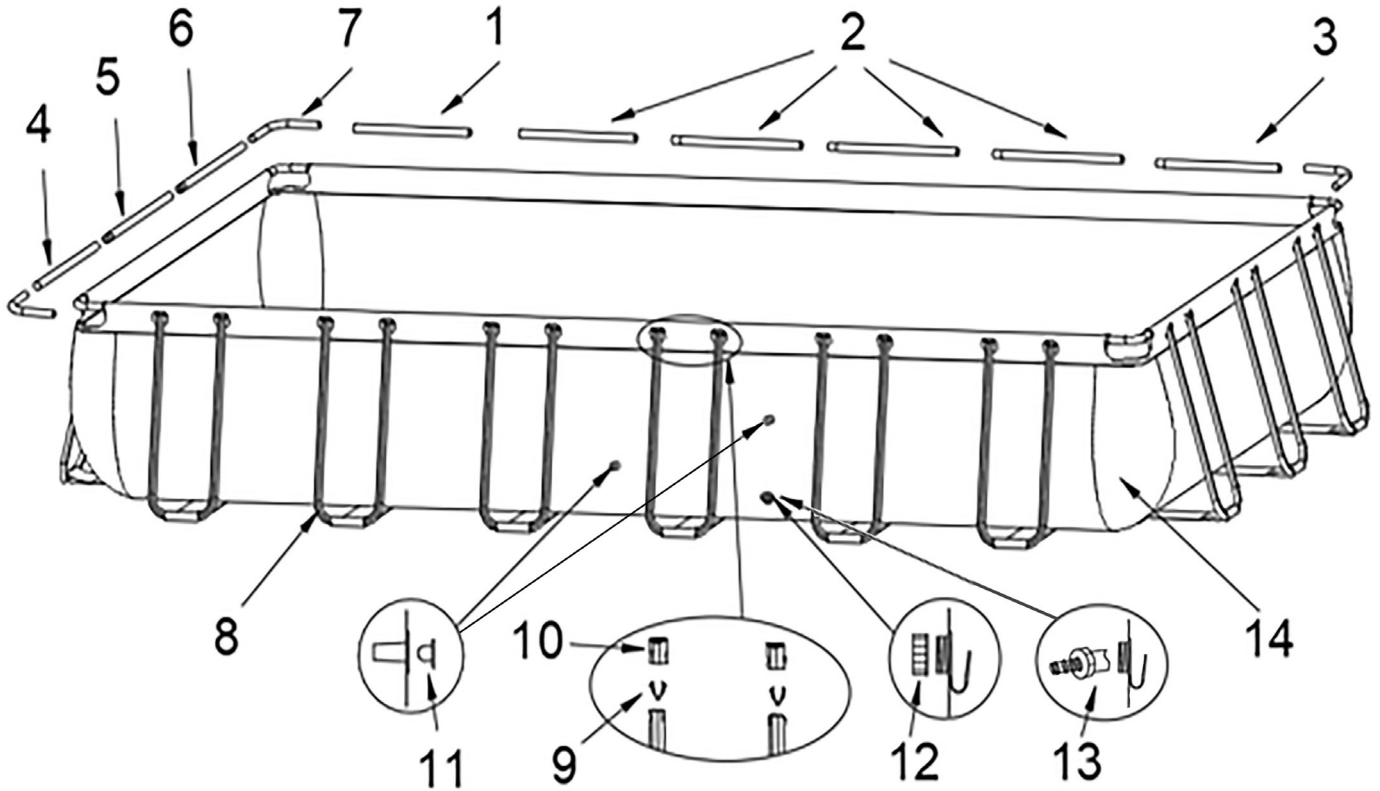




Parts Information:
**Dellonda 25ft Deluxe Steel Frame
 Swimming Pool, Rectangular with Step
 Ladder, Pool and Ground Covers and Filter
 Sand Pump
 Model No: DL151**



Item	Part No.	Description
1	DL10192	Horizontal Beam A
2	DL10193	Horizontal Beam B
3	DL10194	Horizontal Beam C
4	DL10200	Horizontal Beam A
5	DL10201	Horizontal Beam B
6	DL10202	Horizontal Beam C
7	DL10203	L-Tube
8	DL10196	U-Tube
9	DL10044	Plastic Spring Pin

Item	Part No.	Description
10	DL10045	U-Tube Joint
11	DL10057	Stopper
12	DL10204	Drainage Valve Cover
13	DL10205	Drainage Valve Connector
14	DL10206	Pool Liner
--	DL10198	Filter Pump (Not Shown)
--	DL10199	Pool Ladder (Not Shown)
--	DL10207	Hose 1.5m (Not Shown)

NOTE: It is our policy to continually improve products and as such we reserve the right to alter data, specifications and component parts without prior notice. There may be alternative versions of this product, please contact us should you require this information.

IMPORTANT: No liability is accepted for incorrect use of product. Spare parts must be fitted by a competent person

WARRANTY: Guarantee is 12 months from purchase date, proof of which will be required for any claim.

Dellonda, Kempson Way, Suffolk Business Park, Bury St Edmunds, Suffolk. IP32 7AR



01284 757575



support@dellonda.co.uk



www.dellonda.co.uk