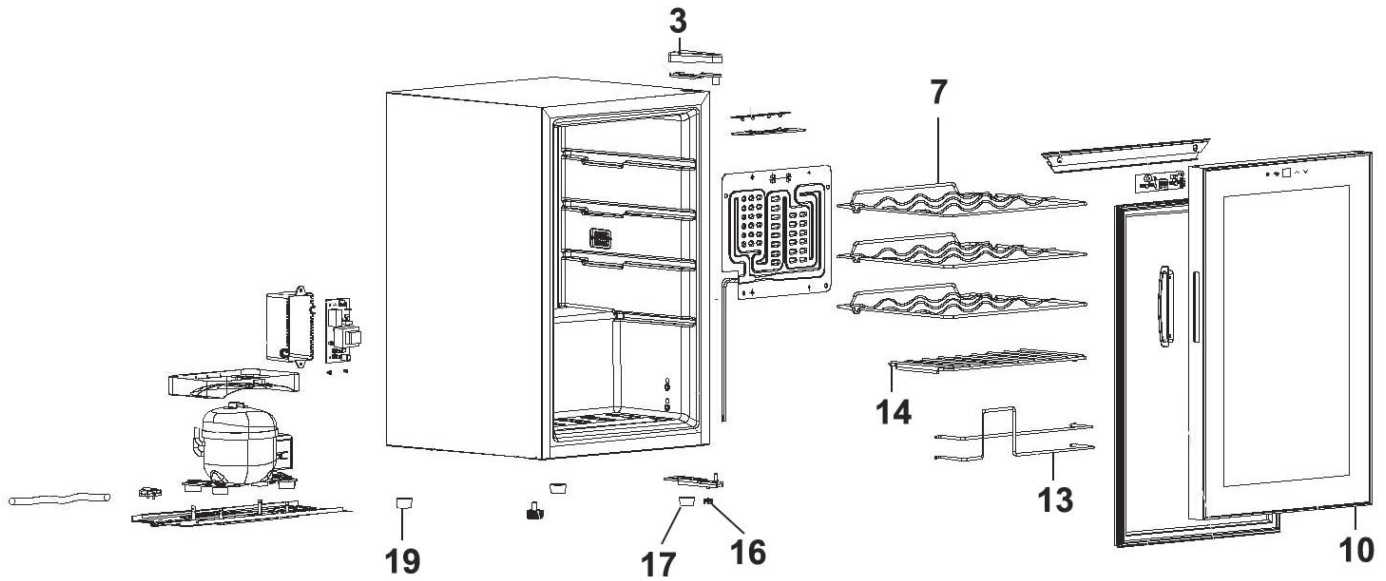


Parts Information:  
**Baridi Wine Cooler/Fridge, Digital Touch  
 Screen Controls, LED Light, Energy Class  
 A, 20 Bottle - Black**  
**Model No: DH8**



Item	Part No.	Description
3	DH10018	Hinged Cover
7	DH10001	Shelf, Wavy
10	DH10066	Glass Door
13	DH10064	Shelf, Wine Rack

Item	Part No.	Description
14	DH10068	Shelf, Small
16	DH10014	Adjustable Foot, Small
17	DH10003	Rubber Foot (12mm)
19	DH10004	Rubber Foot (15mm)

**NOTE:** It is our policy to continually improve products and as such we reserve the right to alter data, specifications and component parts without prior notice.

**IMPORTANT:** No liability is accepted for incorrect use of product. Spare parts must be fitted by a competent person

**WARRANTY:** Guarantee is 12 months from purchase date, proof of which will be required for any claim.

**Dellonda Limited, Sole UK Distributor of Baridi**

Kempson Way, Suffolk Business Park, Bury St Edmunds, Suffolk. IP32 7AR

01284 757575 support@dellonda.co.uk www.dellonda.co.uk