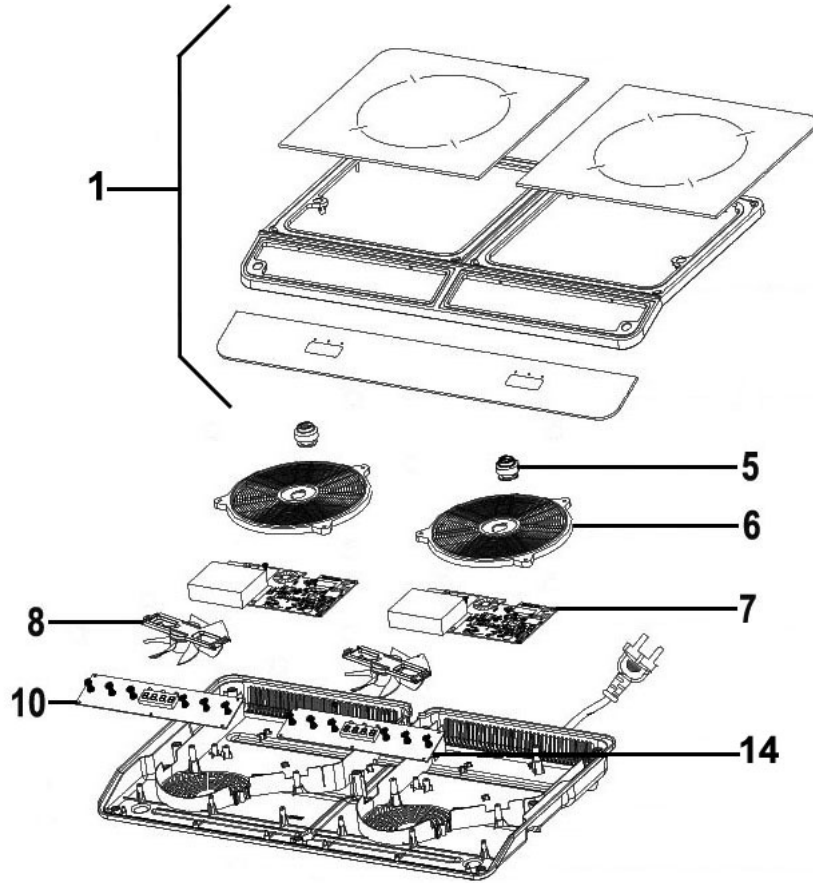


Parts Information:

Baridi Portable Induction Hob: Two Zone, 2800W, 13A Plug, 10 Power Settings, Timer Function, Child Lock, Black

Model No: DH146



Item	Part No.	Description
1	DH10355	Hob Glass Assembly
5	DH10358	Sensor
6	DH10359	Coil
7	DH10360	Main PCB

Item	Part No.	Description
8	DH10361	Fan
10	DH10362	Control PCB L/H
14	DH10525	Control PCB R/H

NOTE: It is our policy to continually improve products and as such we reserve the right to alter data, specifications and component parts without prior notice. There may be alternative versions of this product, please contact us should you require this information.

IMPORTANT: No liability is accepted for incorrect use of product. Spare parts must be fitted by a competent person

WARRANTY: Guarantee is 12 months from purchase date, proof of which will be required for any claim.

Dellonda Limited, Sole UK Distributor of Baridi

Kempson Way, Suffolk Business Park, Bury St Edmunds, Suffolk. IP32 7AR

01284 757575 support@dellonda.co.uk www.dellonda.co.uk