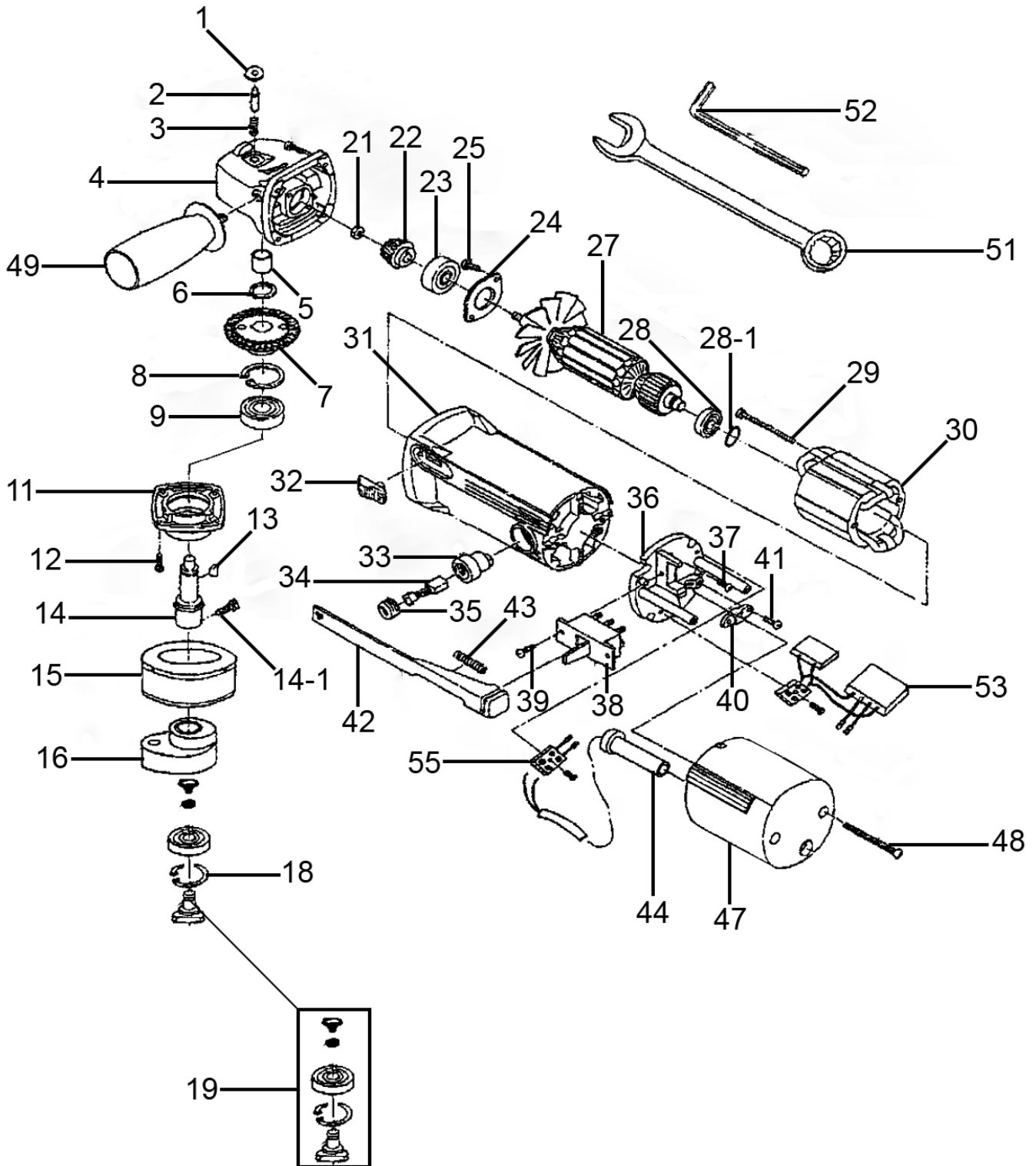




Parts Information:
Random Orbital Dual Action Sander
Ø150mm 230V
Model No: DAS150T



NOTE: It is our policy to continually improve products and as such we reserve the right to alter data, specifications and component parts without prior notice. There may be alternative versions of this product, please contact us should you require this information.

IMPORTANT: No liability is accepted for incorrect use of product. Spare parts must be fitted by a competent person

WARRANTY: Guarantee is 12 months from purchase date, proof of which will be required for any claim.

Sealey Group, Kempson Way, Suffolk Business Park, Bury St Edmunds, Suffolk. IP32 7AR



01284 757500



01284 703534



sales@sealey.co.uk



www.sealey.co.uk



Parts Information:
Random Orbital Dual Action Sander
Ø150mm 230V
Model No: DAS150T

Item	Part No.	Description
1	ER1700PV2-19	Lock Pin Cap
2	ER1700P/02	Locking Pin
3	ER1700P/03	Spring
4	ER1700P/04	Gear Housing
5	ER1700P/05	Brass Bushing
6	ER1700P/06	Retaining Ring
7	DAS150T/07	Spiral Bevel Gear
8	DAS150T/08	Retaining Ring
9	B/6201ZZ	Bearing
11	DAS150T/11	Bearing Box
12	DAS150T/12	Screw M4 x 16mm (c/w Spring Washer)
13	ER1700P/12	Woodruff Key
14	DAS150T/14	Spindle
14-1	DAS150T/14-1	Screw M6
15	DAS150T/15	Aluminium Cover
16	DAS150T/16	Eccentric Shaft
18	DAS150T/18	Internal Circlip
19	DAS150T.PSK	Pad Spindle Kit
21	ER1700P/21	Nut
22	DAS150T/22	Pinion Gear
23	B/6000ZZ	Bearing
24	ER1700P/24	Bearing Cover
25	ER1700P/25	Screw 4 x 12mm
27	DAS150T/27	Armature Assembly
28	B/608-2RS	Bearing
28-1	DAS150T.28-1	O-Ring

Item	Part No.	Description
29	ER1700P/29	Screw
30	DAS150T/30	Stator
31	ER1700P/31	Motor Housing
32	ER1700P/32	Lever, Switch
33	ER1700P/33	Brush Holder
34	ER1700P/34	Carbon Brush
35	ER1700P/35	Brush Holder Cap
36	ER1700P/36	Switch Base
37	ER1700P/37	Screw 4 x 12mm
38	ER1700P/38	Switch, Toggle
39	ER1700P/39	Screw 3.5 x 8mm
40	ER1700P/40	Strain Relief
41	ER1700P/41	Screw 4 x 12mm
42	ER1700P/42	Rod
43	ER1700P/43	Spring
44	ER1700P/44	Cord Guard
47	ER1700P/47	Rear Cover
48	ER1700P/48	Screw 4 x 60mm
49	ER1700P/49	Side Handle
51	AK378/17S	Wrench
52	S0465.19	Hex Key H5 x 75mm
53	ER1700P/53-54	Capacitor Set
55	ER1700P/55	Terminal Block
--	ER1700P/20	Screw, Pan Pozi M4 x 20mm (Not Shown)
--	CS 2.5M2CBLK	Mains Cable (Not Shown)
--	PTC/150SA	DA Backing Pad Ø145mm (Not Shown)

NOTE: It is our policy to continually improve products and as such we reserve the right to alter data, specifications and component parts without prior notice. There may be alternative versions of this product, please contact us should you require this information.

IMPORTANT: No liability is accepted for incorrect use of product. Spare parts must be fitted by a competent person

WARRANTY: Guarantee is 12 months from purchase date, proof of which will be required for any claim.

Sealey Group, Kempson Way, Suffolk Business Park, Bury St Edmunds, Suffolk. IP32 7AR



01284 757500



01284 703534



sales@sealey.co.uk



www.sealey.co.uk