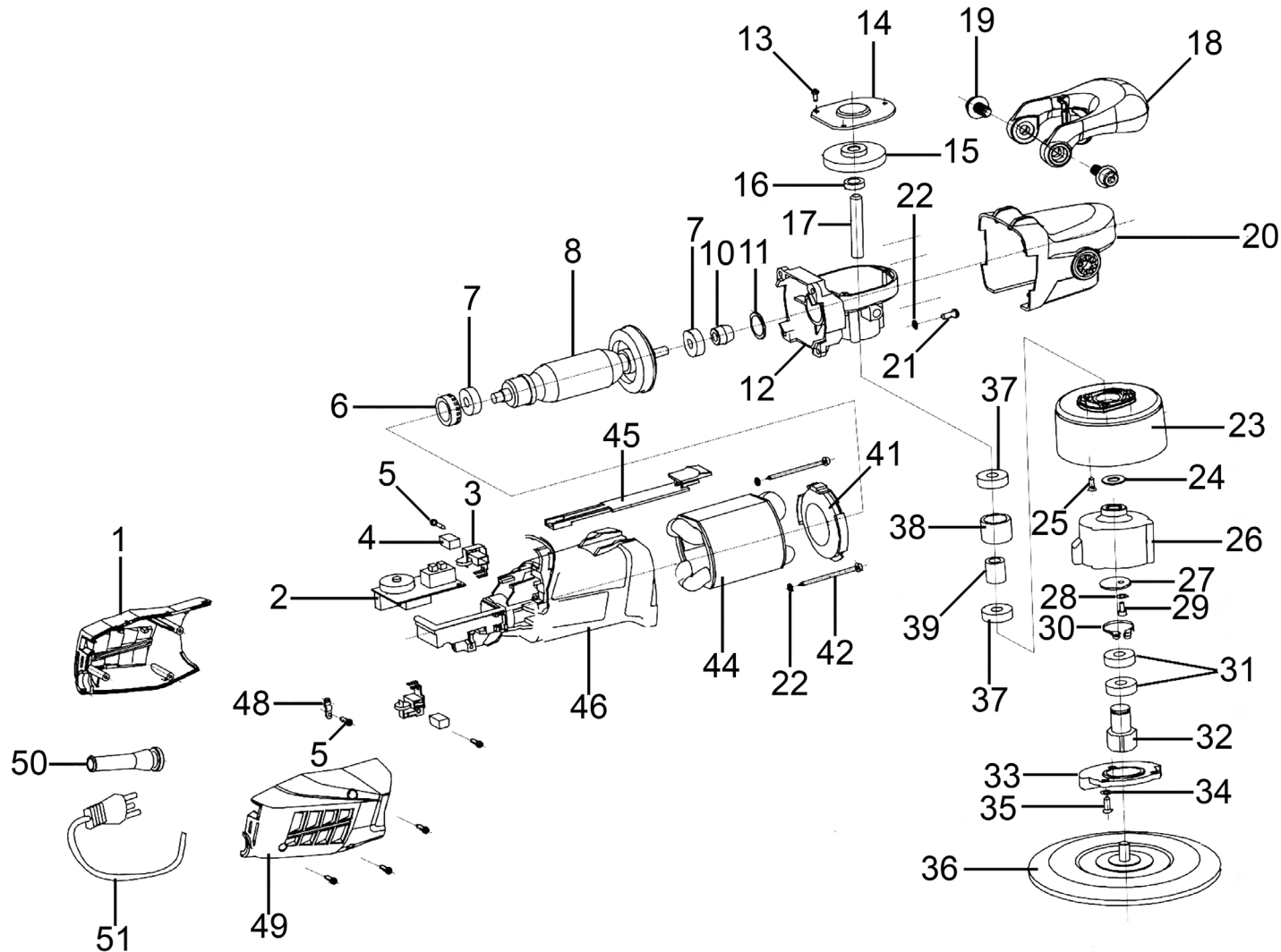




Parts Information:
Random Orbital Dual Action Sander/Polisher Ø150mm 600W/230V
Model No: DAS149



NOTE: It is our policy to continually improve products and as such we reserve the right to alter data, specifications and component parts without prior notice.

There may be alternative versions of this product, please contact us should you require this information.

IMPORTANT: No liability is accepted for incorrect use of product. Spare parts must be fitted by a competent person

WARRANTY: Guarantee is 12 months from purchase date, proof of which will be required for any claim.

Sealey Group, Kempson Way, Suffolk Business Park, Bury St Edmunds, Suffolk. IP32 7AR



01284 757500



sales@sealey.co.uk



www.sealey.co.uk



Parts Information:
**Random Orbital Dual Action Sander/
 Polisher Ø150mm 600W/230V
 Model No: DAS149**

Item	Part No.	Description
1	DAS149.01	Housing, Right
2	DAS149.02	Speed Control Assembly
3	DAS149.03	Brush Holder
4	DAS149.04	Carbon Brush
5	SA44.V3-02	Rd Head S/T Screw M3 x 8mm
6	DAS149.06	Bearing Cap
7	B/608	Bearing
8	DAS149.08	Armature
10	DAS149.10	Gear, Small
11	SA0615KIT.08	O-ring
12	DAS149.12	Gear Case
13	MSP38.S	Machine Screw Pan Head Phillips M3 x 8mm
14	DAS149.14	Dust Cover
15	DAS149.15	Gear, Large
16	DAS149.16	Gear Washer M9
17	DAS149.17	Gear Shaft
18	DAS149.18	Handle
19	SCB825.S	Socket Cap Bolt M8 x 25mm
20	DAS149.20	Gear Cover
21	S0685.V2-41	Rd Head S/T Screw M4 x 15mm
22	SWM4.S	Spring Washer M4
23	DAS149.23	Cover
24	DAS149.24	Washer Bearing Black M8 x 18mm
25	MSC416.S	Machine Screw Pan Head Phillips M4 x 16mm
26	DAS149.26	Eccentric Body, Upper

Item	Part No.	Description
27	DAS149.27	Eccentric Washer Disc
28	DAS149.28	Tooth Washer M5
29	SCB514.SB	Socket Cap Bolt M5 x 14mm Black
30	RE231.V3-06	External Circlip
31	B/6001ZZ	Bearing
32	DAS149.32	Eccentric Shaft
33	DAS149.33	Eccentric Body, Lower
34	EH3000.03B	Tooth Washer M4
35	MSP418.S	Machine Screw Pan Head Phillips M4 x 18mm
36	PTC/150VA	DA Backing Pad Ø145mm
37	B/609-2RS	Bearing
38	DAS149.38	Bearing cover, Outer
39	DAS149.39	Bearing Cover, Inner
41	DAS149.41	Baffle
42	DAS149.42	Screw
44	DAS149.44	Stator
45	DAS149.45	Lever
46	DAS149.46	Housing, Main
48	DAS149.48	Cable Grip
49	DAS149.49	Housing, Left
50	DAS149.50	Cable Sleeve
51	DAS149.51	Power Cable
--	PTC/150SA	DA Backing Pad Ø145mm (Not Shown)
--	PTC/150A	DA Backing Pad Ø148mm (Not Shown)
--	DAS150T.V5-43	14mm Spindle Wrench (Not Shown)

NOTE: It is our policy to continually improve products and as such we reserve the right to alter data, specifications and component parts without prior notice. There may be alternative versions of this product, please contact us should you require this information.

IMPORTANT: No liability is accepted for incorrect use of product. Spare parts must be fitted by a competent person

WARRANTY: Guarantee is 12 months from purchase date, proof of which will be required for any claim.

Sealey Group, Kempson Way, Suffolk Business Park, Bury St Edmunds, Suffolk. IP32 7AR



01284 757500



sales@sealey.co.uk



www.sealey.co.uk