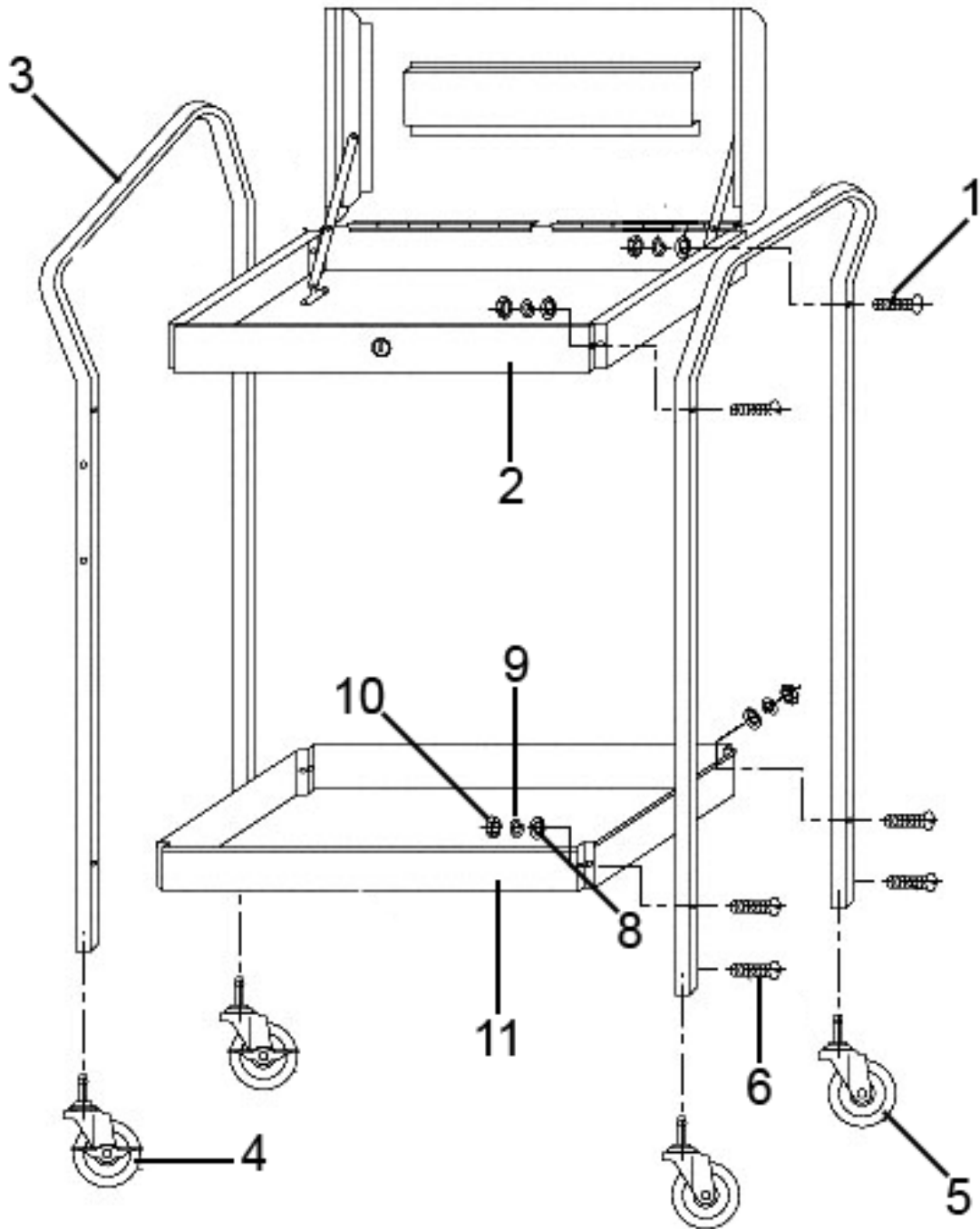


Parts Information:
Trolley 2-Level Heavy-Duty with Lockable Top
Model No: CX104



Item	Part No.	Description
1	MSP635.S	Machine Screw Pan Head Phillips M6 x 35mm
2	CX1042D.02	Tray (c/w Lid)
3	CX1042D.03	Handle, Chrome
4	CX1042D.04	Wheel, Castor (w/Brake)
5	CX1042D.05	Wheel, Castor

Item	Part No.	Description
6	MSP612.S	Machine Screw Pan Head Phillips M6 x 12mm
8	LS1050V.27	Washer M6
9	SWM6.S	Spring Washer M6
10	SN6.S	Steel Nut M6
11	CX1042D.11	Tray

NOTE: It is our policy to continually improve products and as such we reserve the right to alter data, specifications and component parts without prior notice. There may be alternative versions of this product, please contact us should you require this information.

IMPORTANT: No liability is accepted for incorrect use of product. Spare parts must be fitted by a competent person

WARRANTY: Guarantee is 12 months from purchase date, proof of which will be required for any claim.