

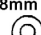
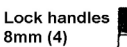
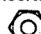
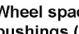

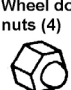
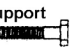
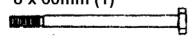
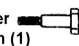
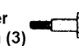


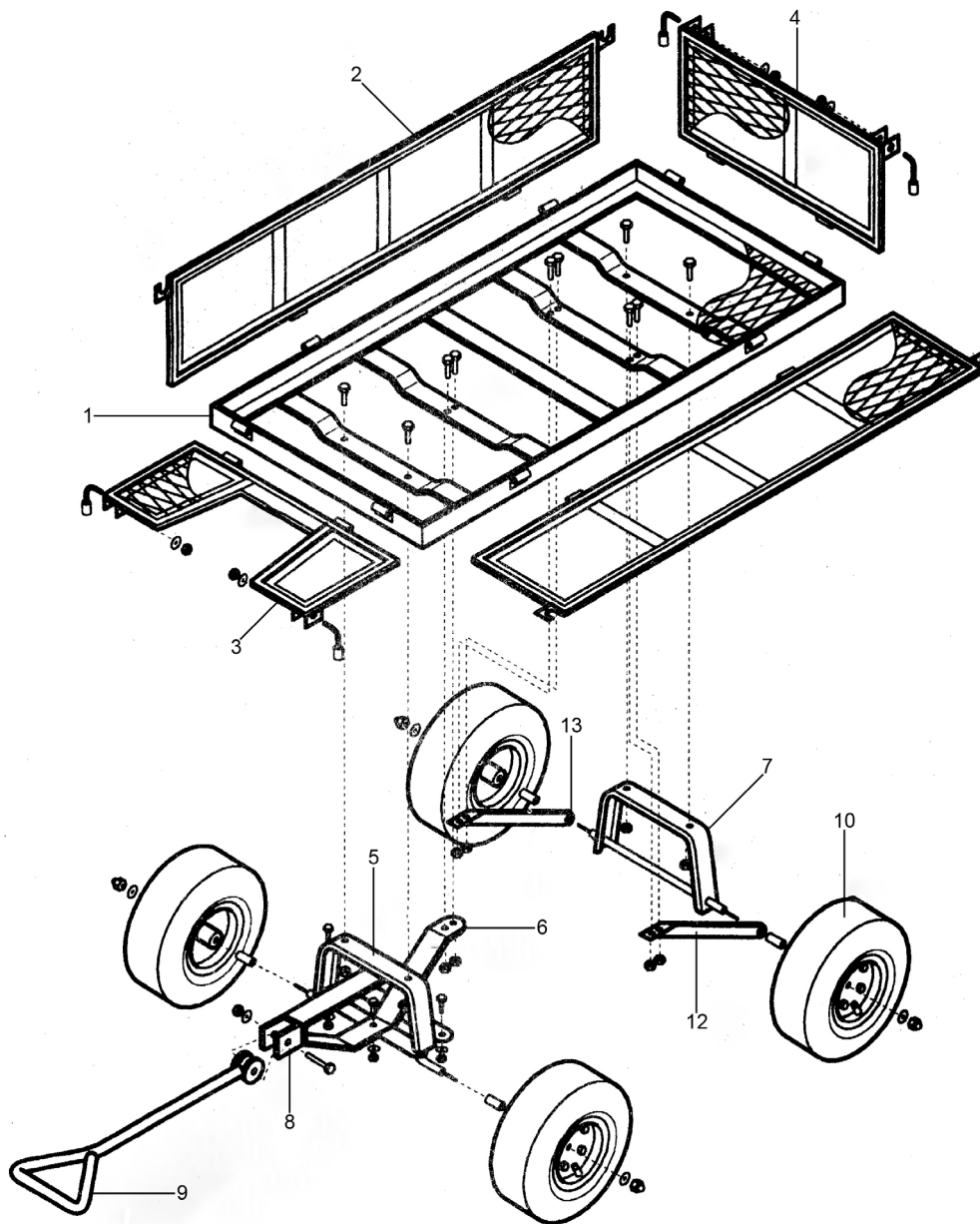


Parts Information:  
**Platform Truck with Sides Pneumatic Tyres**  
**200kg Capacity**  
**Model No: CST997**

- Quick release pin (8) 
- Nut 6mm with lock insert (8) 
- Washers 8mm (15) 
- Lock handles 8mm (4) 
- Nut 8mm with lock inserts (15) 
- Wheel spacer bushings (4) 
- Wheel lock washers (4) 
- Wheel dome nuts (4) 
- Carriage support bolts (10) 
- Pull handle bolt 8 x 60mm (1) 
- Long shoulder bolt 8 x 17mm (1) 
- Short shoulder bolt 8 x 15mm (3) 
- Washer 6mm (4) 
- Nut 6mm with lock insert (4) 



Item	Part No.	Description
1	CST997.01	Flat Bed
2	CST997.02	Side Panel
3	CST997.03	Front Panel
4	CST997.04	Rear Panel
5	CST996.02	Front Axle Support
6	CST996.03	Front Axle Support, Centre
7	CST996.04	Rear Axle Support

Item	Part No.	Description
8	CST996.05	Yoke
9	CST996.06	Handle
10	CST997.05	Wheel
11	CST997.FK	Fixing Kit
12	CST997.12	Rear Axle Brace, Left
13	CST997.13	Rear Axle Brace, Right
--	B/KLNJ5/8ZZ	Bearing (Not Shown)

**NOTE:** It is our policy to continually improve products and as such we reserve the right to alter data, specifications and component parts without prior notice. There may be alternative versions of this product, please contact us should you require this information.

**IMPORTANT:** No liability is accepted for incorrect use of product. Spare parts must be fitted by a competent person

**WARRANTY:** Guarantee is 12 months from purchase date, proof of which will be required for any claim.