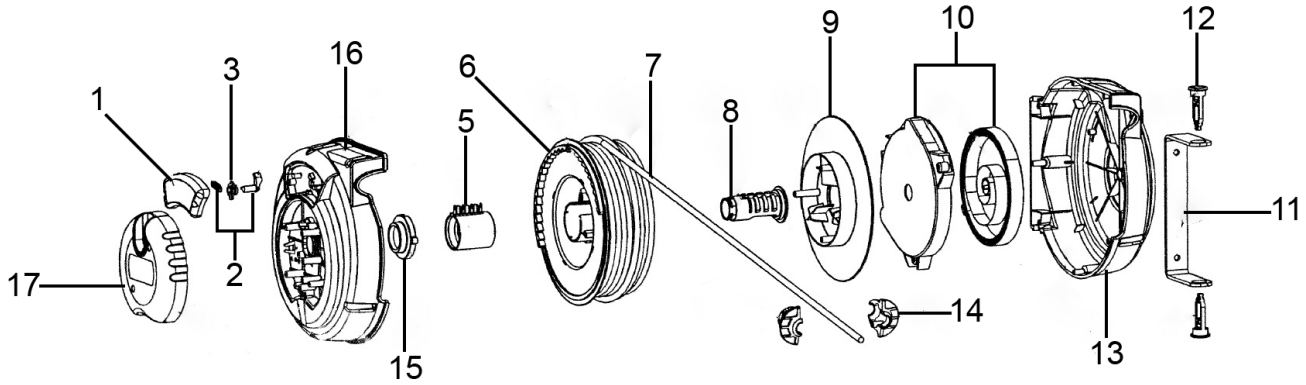




Parts Information:  
**Cable Reel System Retractable 15mtr 1 x 230V Socket**  
**Model No: CRM15.V2**



Item	Part No.	Description
1	198.324206	Pawl Cover
2	198.704904	Pawl (c/w Spring & Support)
3	198/324204	Pawl Support
5	198.704044	Pivot Guide
6	198.322124	Cable Reel
7	198.162230	Wire
8	198.704919	Pivot
9	198.322127	Back Plate

Item	Part No.	Description
10	198.705035	Drum Assembly
11	198.620125	Wall Bracket
12	198.324230	Support Pin
13	198.328025	Casing, Right
14	198.323344	Stop Block (c/w Screws)
15	198.322115	Spacer
16	198.328125	Casing, Left
17	198.324260	Cover

**NOTE:** It is our policy to continually improve products and as such we reserve the right to alter data, specifications and component parts without prior notice. There may be alternative versions of this product, please contact us should you require this information.

**IMPORTANT:** No liability is accepted for incorrect use of product. Spare parts must be fitted by a competent person

**WARRANTY:** Guarantee is 12 months from purchase date, proof of which will be required for any claim.

**Sealey Group**, Kempson Way, Suffolk Business Park, Bury St Edmunds, Suffolk. IP32 7AR



01284 757500



01284 703534



sales@sealey.co.uk



www.sealey.co.uk