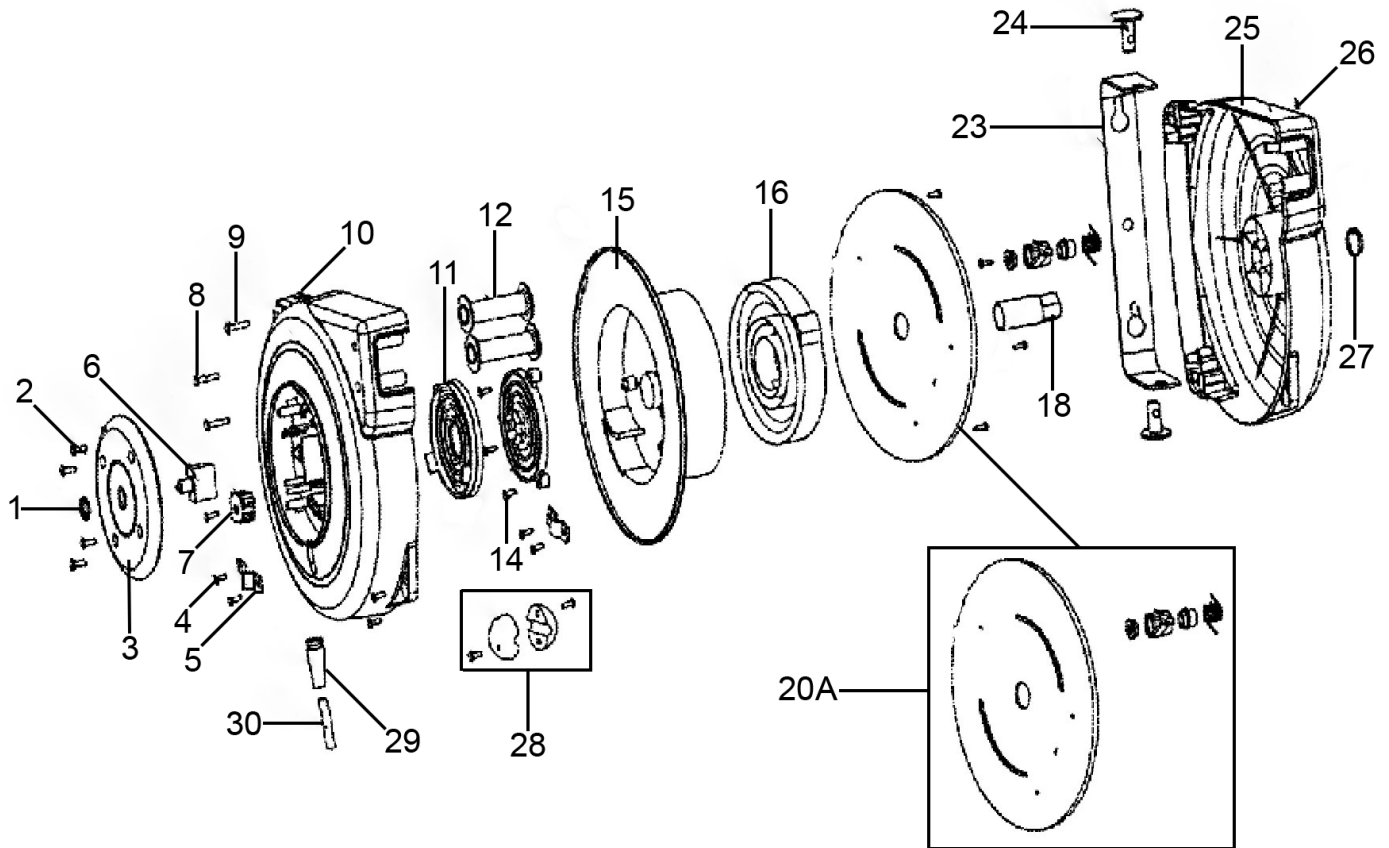


Parts Information:
**Cable Reel System Retractable 10mtr 2 x
 230V Socket**
Model No: CRM10.V4



Item	Part No.	Description
1	CRM10.V4-01	Plastic Nut
2	CRM10.V4-02	Screw ST4.2 x 19mm
3	CRM10.V4-03	Plastic Cover
4	CRM10.V4-04	Screw ST2.9 x 9.5mm
5	CRM10.V4-05	Cord Clamp
6	CRM10.V4-06	Thermal Cut-Out
7	CRM10.V4-07	Terminal Block
8	CRM10.V4-08	Screw ST4 x 20mm
9	CRM10.V4-09	Socket Head Cap Screw M5 x 25mm
10	CRM10.V4-10	Cover, Left
11	CRM10.V4-11	Fixed Plate Assembly
12	CRM10.V4-12	Guide Roller
14	CRM10.V4-14	Screw ST4.2 x 19mm
15	CRM10.V4-15	Drum
16	CRM10.V4-16	Spring
18	CRM10.V4-18	Axle

Item	Part No.	Description
20A	CRM10.V4-20A	Cover Cap Assembly
23	CRM10.V4-23	Bracket, Wall Mounting
24	CRM10.V4-24	Pin
25	CRM10.V4-25	Cover, Right
26	SN5.S	Steel Nut M5
27	CRM10.V4-27	Plastic Cover
28	CRM15.V5-30	Stop Block
29	CRM10.V4-29	Sheath
30	MC3CX1.5	Mains Cable
--	CRM10.V4-17	Drum (Not Shown)
--	CRM10.V4-19	Cover Cap (Not Shown)
--	CRM10.V4-20	Ratchet Pawl (Not Shown)
--	CRM10.V4-21	Ratchet Axle (Not Shown)
--	CRM10.V4-22	Spring (Not Shown)
--	CRM10.V4-C	Cable (Not Shown)

NOTE: It is our policy to continually improve products and as such we reserve the right to alter data, specifications and component parts without prior notice. There may be alternative versions of this product, please contact us should you require this information.

IMPORTANT: No liability is accepted for incorrect use of product. Spare parts must be fitted by a competent person

WARRANTY: Guarantee is 12 months from purchase date, proof of which will be required for any claim.