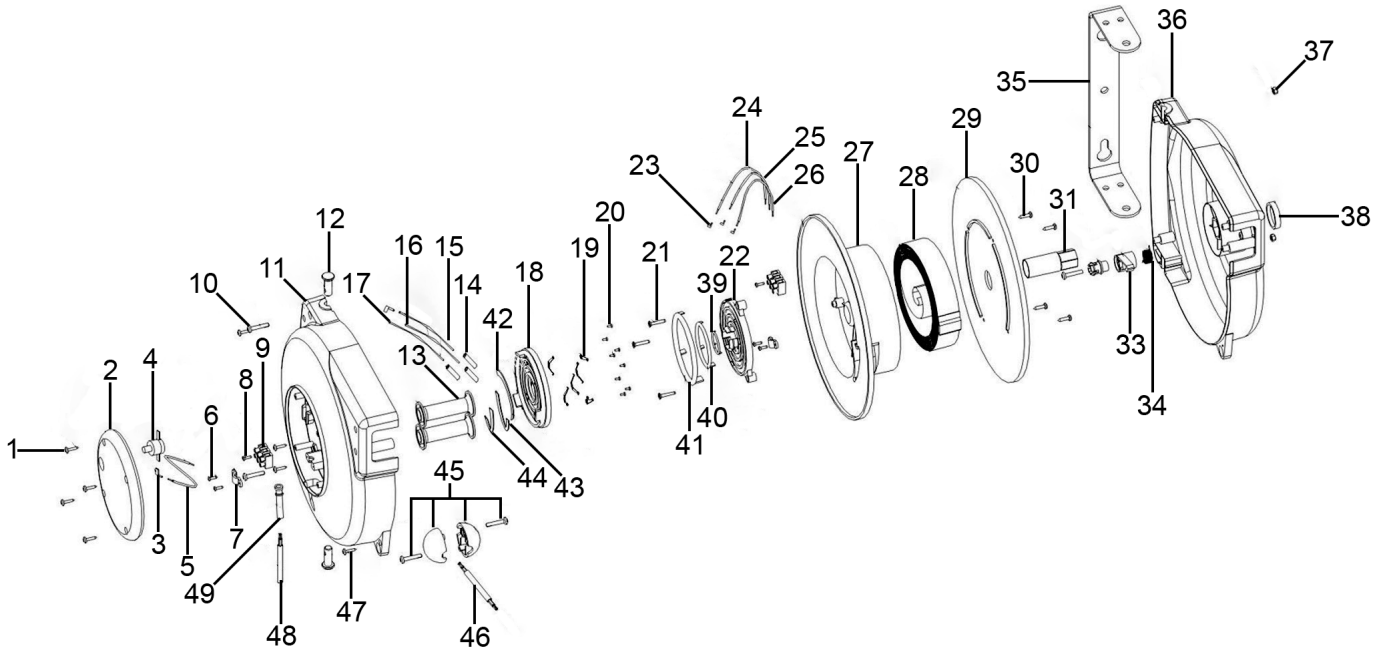


Parts Information:  
**Cable Reel System Retractable 10mtr 1 x 230V Socket**  
**Model No: CRM10.V3**



Item	Part No.	Description
1	CRM10.01	Screw 4.2 x 33.5mm
2	CRM10.02	Plastic Cover
3	CRM10.03	Termination
4	CRM10.04	Thermal Cut-Out
5	CRM10.05	Wire, (Brown)
6	CRM10.06	Screw 2.9 x 9.5mm
7	CRM10.07	Cable Clamp
8	CRM10.08	Screw 2.9 x 14mm
9	CRM10.09	Terminal Block
10	CRM10.10	Screw M5 x 25mm
11	CRM10.11	Cover, Left
12	CRM10.12	Pin
13	CRM10.13	Roller
14	CRM10.14	Shrinkable Tube
15	CRM10.15	Wire, Live

Item	Part No.	Description
16	CRM10.16	Wire, Earth
17	CRM10.17	Wire, Neutral
18	CRM10.18	Fixing Plate
19	CRM10.19	Touch Slide
20	CRM10.20	Copper Rivet
21	CRM10.21	Screw 4.2 x 22mm
22	CRM10.22	Movable Plate
23	CRM10.23	Termination
24	CRM10.24	Connection, Live
25	CRM10.25	Connection, Earth
26	CRM10.26	Connection, Neutral
27	CRM10.27	Drum
28	CRM10.28	Spring
29	CRM10.29	Drum
30	CRM10.30	Screw 4.2 x 19mm

**NOTE:** It is our policy to continually improve products and as such we reserve the right to alter data, specifications and component parts without prior notice. There may be alternative versions of this product, please contact us should you require this information.

**IMPORTANT:** No liability is accepted for incorrect use of product. Spare parts must be fitted by a competent person

**WARRANTY:** Guarantee is 12 months from purchase date, proof of which will be required for any claim.



Parts Information:  
**Cable Reel System Retractable 10mtr 1 x  
230V Socket**  
**Model No: CRM10.V3**

Item	Part No.	Description
31	CRM10.31	Axle
33	CRM10.33	Ratchet Pawl
34	CRM10.34	Spring
35	CRM10.35	Bracket
36	CRM10.V4-25	Cover, Right
37	SN5.S	Steel Nut M5
38	CRM10.38	Plastic Cover
39	CRM10.39	Slip Ring, Small
40	CRM10.40	Slip Ring, Medium

Item	Part No.	Description
41	CRM10.41	Slip Ring, Large
42	CRM10.42	Half Ring, Copper
43	CRM10.43	Half Ring, Copper
44	CRM10.44	Half Ring, Copper
45	CRM10.45	Stop Block
46	CRM10.46	Inlet, Cable
47	CRM10.47	Screw 4.2 x 16mm
48	CRM10.48	Outlet, Cable
49	CRM10.49	Sheath

**NOTE:** It is our policy to continually improve products and as such we reserve the right to alter data, specifications and component parts without prior notice. There may be alternative versions of this product, please contact us should you require this information.

**IMPORTANT:** No liability is accepted for incorrect use of product. Spare parts must be fitted by a competent person

**WARRANTY:** Guarantee is 12 months from purchase date, proof of which will be required for any claim.

**Sealey Group**, Kempson Way, Suffolk Business Park, Bury St Edmunds, Suffolk. IP32 7AR



01284 757500



01284 703534



sales@sealey.co.uk



www.sealey.co.uk