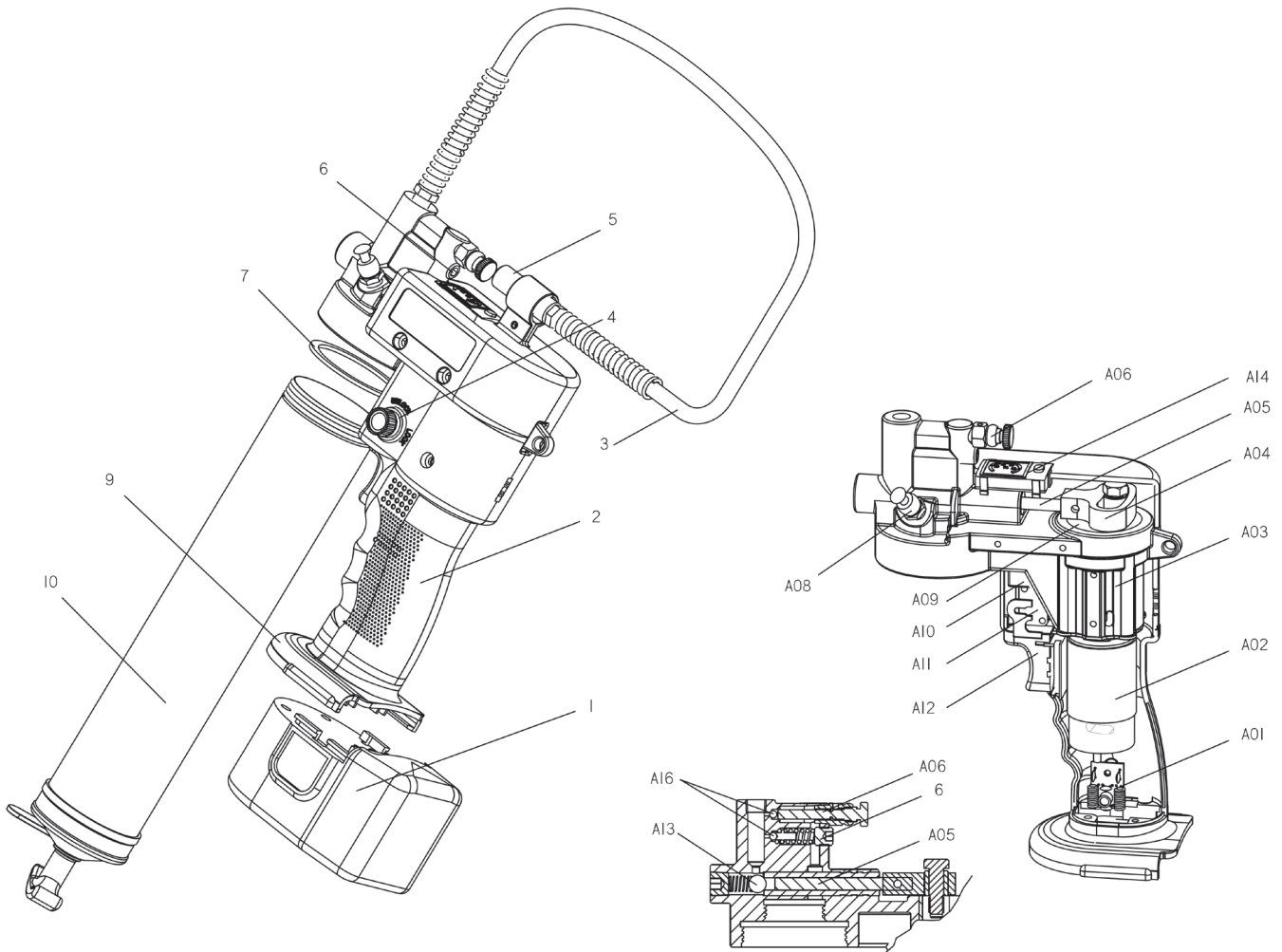




Parts Information:  
**Cordless Grease Gun 18V**  
**Model No: CPG18V.V3**



Item	Part No.	Description
1	CPG18VBP	CORDLESS POWER TOOL BATTERY 18V FOR CPG18VV3
2	CPG12VV2-02	HANDLE ASSEMBLY
3	CPG12VV2-03	FLEXIBLE HOSE
4	CPG12VV2-04	SELF-LOCKING TRIGGER
5	CPG12VV2-05	COUPLER
6	CPG18VV3-06	RELIEF VALVE
7	CPG12VV2-07	GASKET
--	CPG12VV2-08	RUBBER SEAL BOWL (not shown)
9	CPG12VV2-09	BATTERY FIXED DEVICE
10	CPG12VV2-10	GREASE TUBE ASSEMBLY
--	CPG18VV3-11	BATTERY CHARGER (FOR LI-ION BATTERY) (not shown)
12	CPG12VV2-RH	REGULATOR HOUSING (FOR RELIEF VALVE 6)
A01	CPG12VV2-A01	INTERFERENCE BLANKER
A02	CPG18V.A02	MOTOR KIT (18V)
A03	CPG18VV3-A03	GEARBOX ASSEMBLY KIT (HEAD)
A04	CPG12VV2-A04	YOKE BLOCK

Item	Part No.	Description
A05	CPG12VV2-A05	PLUNGER
A06	CPG18VV3-A06	GREASE RELEASE VALVE
--	CPG12VV2-A07	FILLER NIPPLE (not shown)
A08	CPG12VV2-A08	VENT VALVE
A09	CPG12VV2-A09	INSIDE YOKE BLOCK
A10	CPG12VV2-A10	RESETABLE FUSE LT200 1.7x1.8
A11	CPG12VV2-A11	MICRO SWITCH
A12	CPG12VV2-A12	TRIGGER
A13	CPG12VV2-A13	CHECK VALVE KIT
A14	CPG18V.A14	BATTERY CAPACITY DISPLAY
--	CPG12VV2-A15	"D" SHAPE GEAR FOR MOTOR (not shown)
A16	CPG18VV3-A16	CHECK VALVE STEEL BALL
--	CPG12VV2-BMC	BLOW MOULDED CASE (not shown)
--	CPG12VV2-PC	PLASTIC COVER FOR CPG12VV2-A14 (not shown)
--	CPG12VV2-WB	GREASE TUBE WARMER (not shown)
--	CPG18VV2-CA	CPG18V CIRCUIT ASSEMBLY (not shown)

**NOTE:** It is our policy to continually improve products and as such we reserve the right to alter data, specifications and component parts without prior notice.

**IMPORTANT:** No liability is accepted for incorrect use of product.

**WARRANTY:** Guarantee is 12 months from purchase date, proof of which will be required for any claim.

Sealey Group, Kempson Way, Suffolk Business Park, Bury St Edmunds, Suffolk. IP32 7AR



01284 757500



01284 703534



sales@sealey.co.uk



www.sealey.co.uk