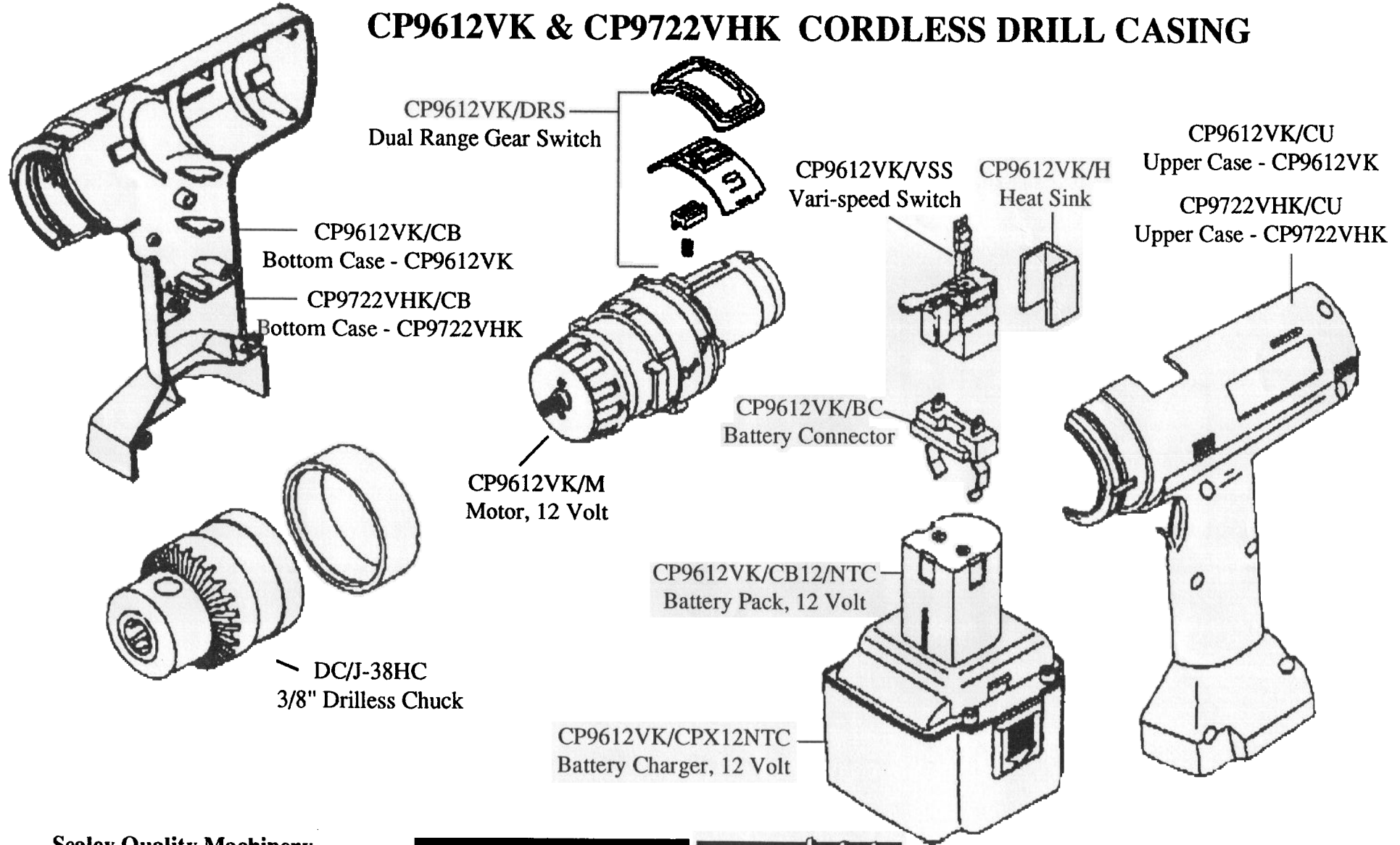


CP9612VK & CP9722VHK CORDLESS DRILL CASING



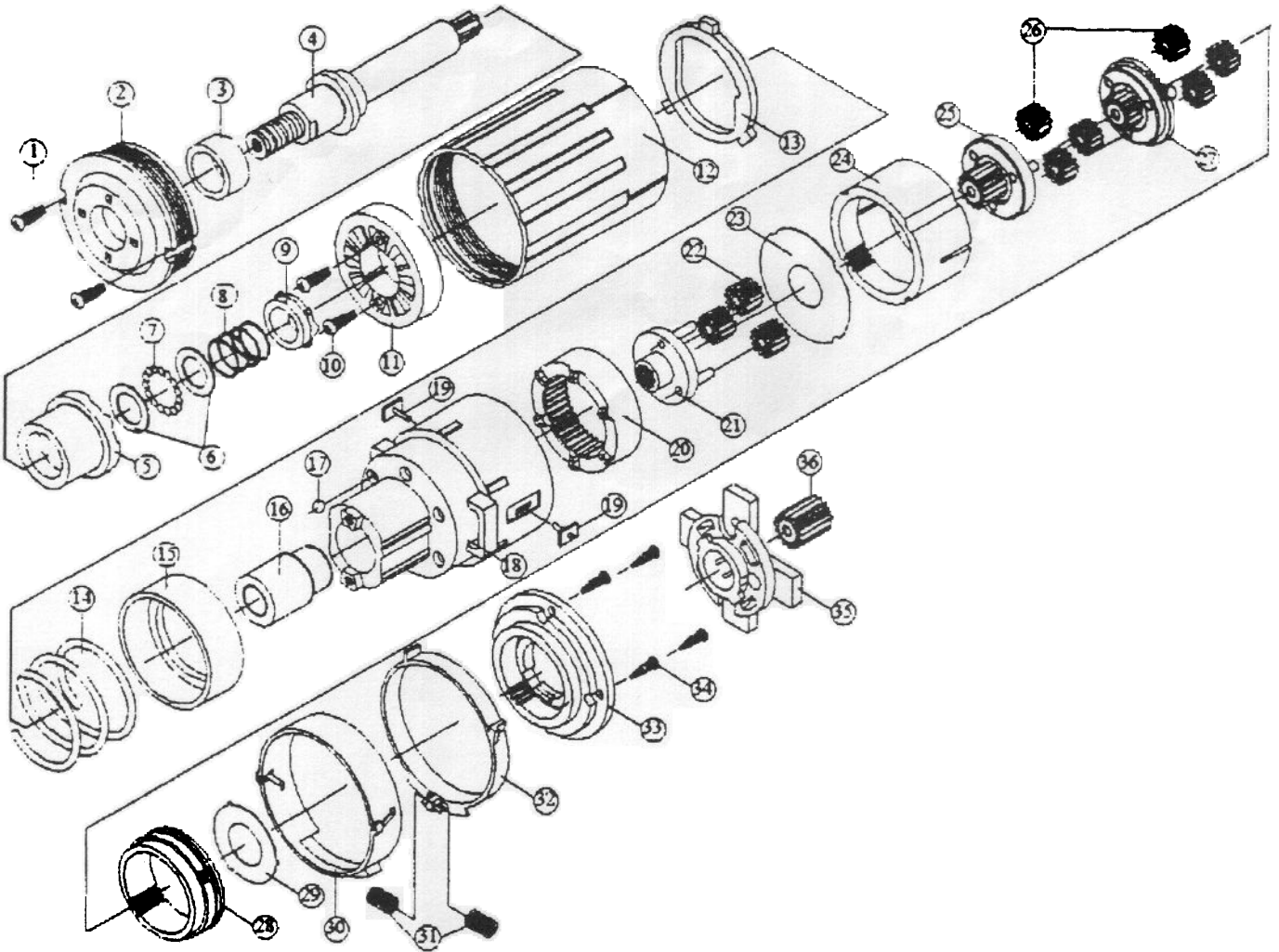
Sealey Quality Machinery

Easlea Road, Moreton Hall Industrial Estate, Bury St.
 Edmunds, Suffolk IP32 7BY
 Phone: (01284) 769621 & 701261 (10 lines) Fax: (01284)
 703534 & 767626



Original Date:	25/7/95
Issue Date:	25/7/95
Version Number:	1
Date Modified:	

CP9722VHK CORDLESS DRILL - GEAR BOX



Index no.	Stock Code	Description	Qty
1	CP9722VHK/01	Tapping Screw	2
2	CP9722VHK/02	Front Cap	1
3	CP9722VHK/03	Bush, Front Cap	1
4	CP9722VHK/04	Spindle	1
5	CP9722VHK/05	Ratchet	1
6	CP9612VK/08	Washer, Bearing	1
7	CP9612VK/07	Steel Ball, Bearing	15
8	CP9722VHK/08	Spring, Impact Clutch	1
9	CP9722VHK/09	Impact Clutch	1
10	CP9612VK/27	Tapping Screw	2
11	CP9722VHK/11	Ratchet Plate	1
12	CP9722VHK/12	Torque Adj. Cap	1
13	CP9722VHK/13	Clutch Ring Holder	1
14	CP9612VK/04	Torque Spring	1
15	CP9612VK/05	Washer Ring	1
16	CP9612VK/09	Oil Bush	1
17	CP9612VK/10	Steel Ball, Clutch	6
18	CP9612VK/11	Gear Box, Shell	1

Index no.	Stock Code	Description	Qty
19	CP9612VK/12	Slider, Speed Change	2
20	CP9612VK/14	Ring Gear, 3 rd layer	1
21	CP9722VHK/21	Planet Gear Carrier	1
22	CP9612VK/15	Planet Gear, 3 rd layer	3
23	CP9612VK/16	Washer	1
24	CP9612VK/17	Spacer, 2 nd layer	1
25	CP9612VK/18	Sun Gear, 3 rd layer	1
26	CP9612VK/19	Planet Gear	6
27	CP9612VK/20	Sun Gear, 2 nd layer	1
28	CP9612VK/21	Ring Gear, 2 nd layer	1
29	CP9612VK/22	Washer, 1 st layer	1
30	CP9612VK/23	Ring Groove	1
31	CP9612VK/24	Spring, Buffer	1
32	CP9612VK/25	Buffer Ring	1
34	CP9612VK/27	Tapping Screw	4
35	CP9612VK/26	Rear Cover	1
35	CP9612VK/28	Motor Spacer	1
36	CP9612VK/29	Pinion	1



Jack Sealey Limited

Easlea Road, Moreton Hall Industrial Estate, Bury St.

Edmunds, Suffolk IP32 7BY

Phone: (01284) 769621 & 701261 (10 lines)

Fax: (01284) 703534 & 767626

Original Date:

25/7/98