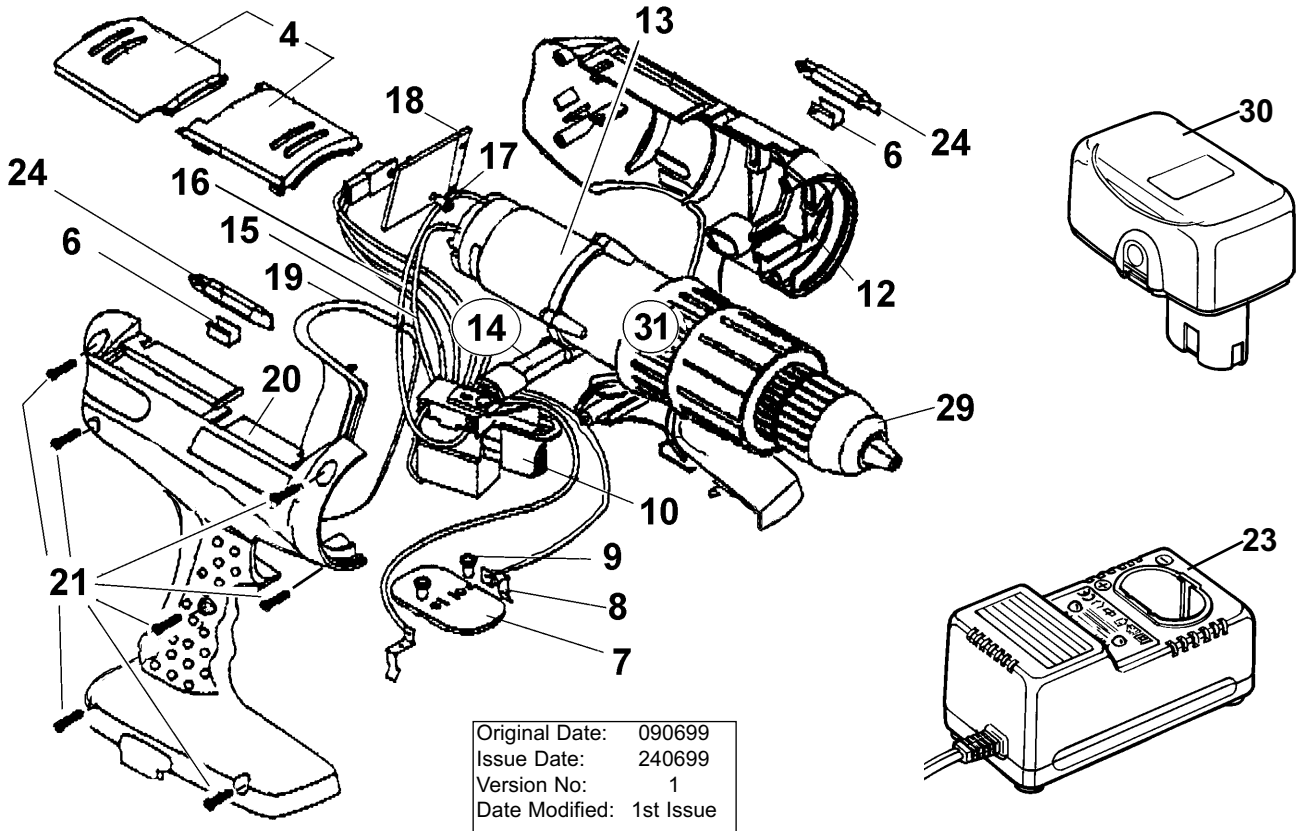


PARTS LIST

12 & 18V CORDLESS POWER DRILLS

Models: **CP9512VHKL & CP9518VHKL**

Sealey Group,
Bury St. Edmunds,
Suffolk.



Original Date: 090699
Issue Date: 240699
Version No: 1
Date Modified: 1st Issue

PARTS for Model CP9512VHKL

No.	Part No.	Description
4	NA1298/04	COVER, FRONT TOP
6	NA1298/06	HOLDER, BIT
7	NA1298/07	HOLDER, CONTACT PLATES
8	NA1298/08	CONTACT PLATE
9	NA1298/09	RIVET
10	CP9512VHKL/10	SWITCH, VARIABLE SPEED
12	CP9512VHKL/12	COVER HOUSING
13	CP9512VHKL/13	MOTOR, 12v
14	NA1298/14	SWITCH, REVERSING
15	CP9512VHKL/15	WIRE
16	CP9512VHKL/16	WIRE
17	CP9512VHKL/17	RIVET
18	CP9512VHKL/18	HEAT SINK
19	NA1298/19	SUPPORT, HANDLE
20	CP9512VHKL/20	SUPPORT HOUSING
21	NA1298/21	SCREW, SELF-TAPPING
23	CP9512VHKL/23	BATTERY CHARGER
24	NA1298/24	BIT, SCREW-DRIVER
29	CP9512VHKL/29	CHUCK, 3/8" KEYLESS
30	CB12/95	BATTERY PACK
31	CP9512VHKL/31	GEARBOX ASSEMBLY

PARTS for Model CP9518VHKL

No.	Part No.	Description
4	NA1298/04	COVER, FRONT TOP
6	NA1298/06	HOLDER, BIT
7	NA1298/07	HOLDER, CONTACT PLATES
8	NA1298/08	CONTACT PLATE
9	NA1298/09	RIVET
10	CP9518VHKL/10	SWITCH, VARIABLE SPEED
12	CP9518VHKL/12	COVER HOUSING
13	CP9518VHKL/13	MOTOR, 18v
14	NA1298/14	SWITCH, REVERSING
15	CP9518VHKL/15	WIRE
16	CP9518VHKL/16	WIRE
17	CP9518VHKL/17	RIVET
18	CP9518VHKL/18	HEAT SINK
19	NA1298/19	SUPPORT, HANDLE
20	CP9518VHKL/20	SUPPORT HOUSING
21	NA1298/21	SCREW, SELF-TAPPING
23	CP9518VHKL/23	BATTERY CHARGER
24	NA1298/24	BIT, SCREW-DRIVER
29	CP9518VHKL/29	CHUCK, 3/8" KEYLESS
30	CP18/95	BATTERY PACK
31	CP9518VHKL/31	GEARBOX ASSEMBLY