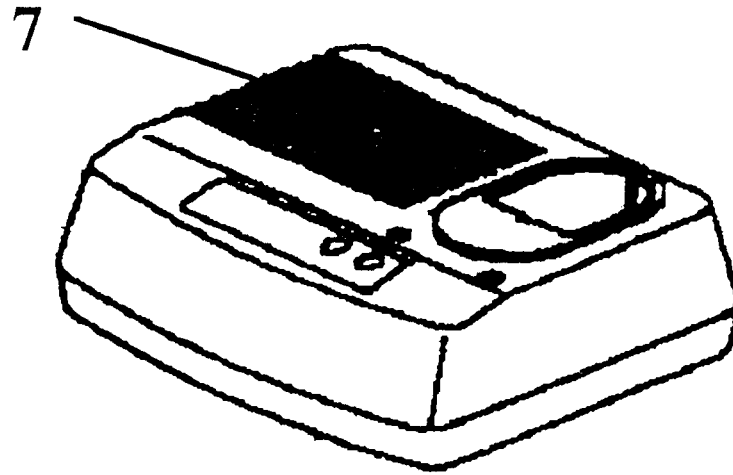
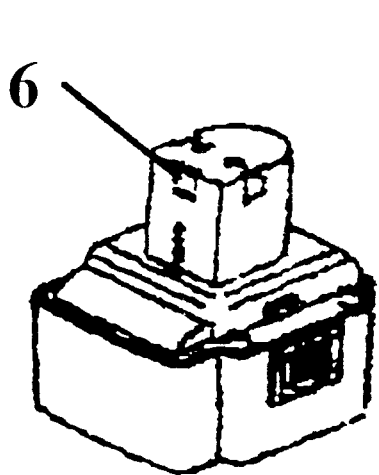
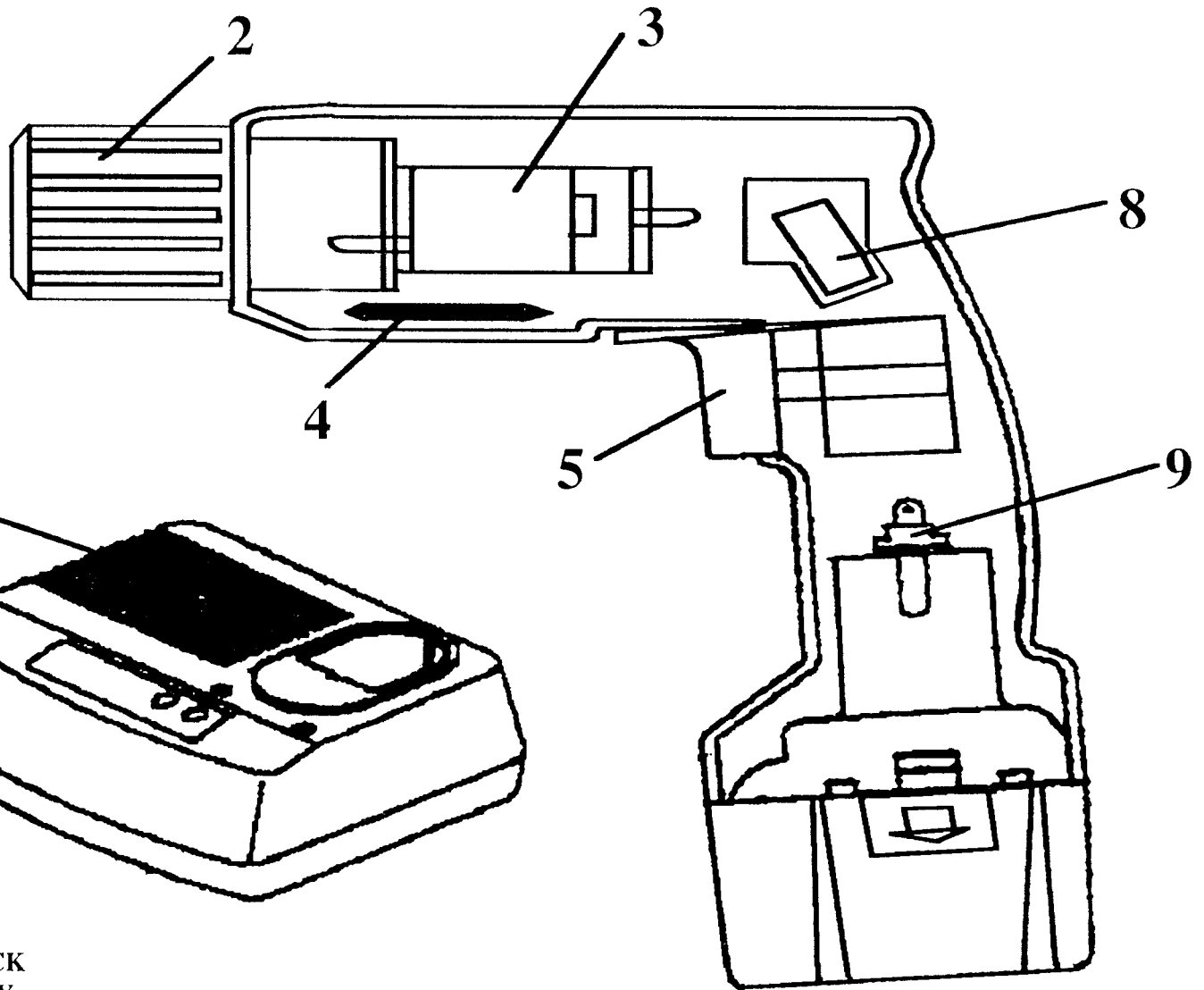
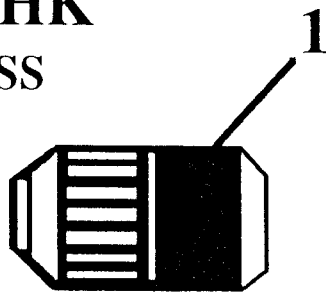


CP9512VHK

CORDLESS
DRILL



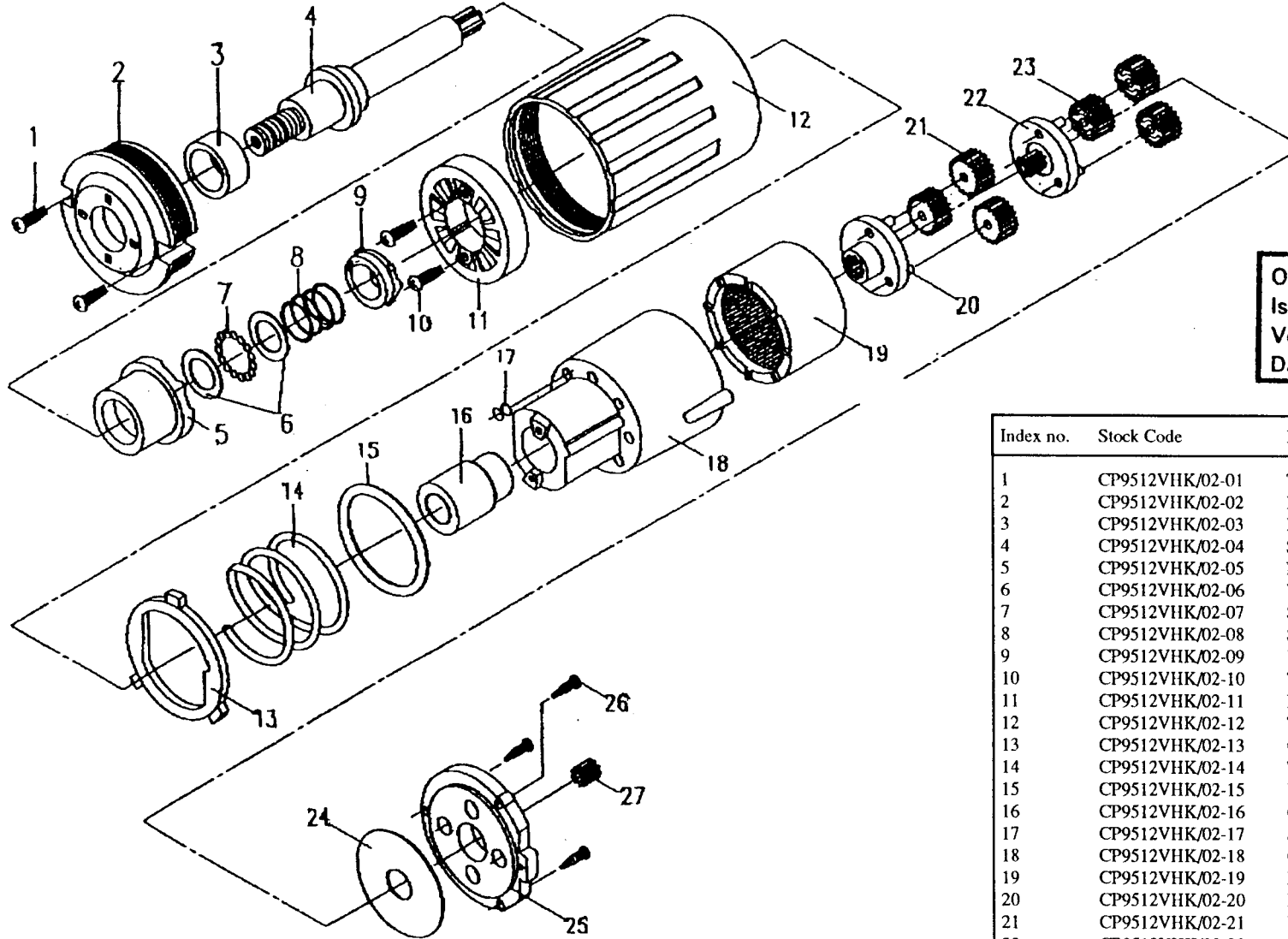
<u>POS</u>	<u>PART NO.</u>	<u>DESCRIPTION</u>
1	DC/J-38HC	KEYLESS CHUCK
2	CP9512VHK/02	GEARBOX ASS'Y
3	CP9512VHK/03	MOTOR
4	CP9512VHK/04A	SCREWDRIVER BIT, SLOTTED 6mm & PHILLIPS No.2
	CP9512VHK/04B	SCREWDRIVER BIT, SLOTTED 5mm & PHILLIPS No.1
5	CP9512VHK/05	SWITCH
6	CP9512VHK/BP	BATTERY PACK
7	CP9512VHK/CP	CHARGER PACK
8	CP9512VHK/08	HEAT SINK
9	CP9512VHK/09	BATTERY CLIP

Original Date: 17-11-94
 Issue Date: 17-11-94
 Version Number: 0
 Date Modified:

SEALEY POWER TOOLS

BURY ST. EDMUNDS, SUFFOLK

CP9512VHK & CP9596VHK CORDLESS DRILLS - GEAR BOX



Original Date: 25/7/95
 Issue Date: 25/7/95
 Version Number: 1
 Date Modified:

Index no.	Stock Code	Description	Qty
1	CP9512VHK/02-01	Tapping Screw	2
2	CP9512VHK/02-02	Front Cap	1
3	CP9512VHK/02-03	Bush, Front	1
4	CP9512VHK/02-04	Spindle	1
5	CP9512VHK/02-05	Ratchet	1
6	CP9512VHK/02-06	Washer	2
7	CP9512VHK/02-07	Steel Ball	15
8	CP9512VHK/02-08	Spring	1
9	CP9512VHK/02-09	Impact Clutch	1
10	CP9512VHK/02-10	Tapping Screw	2
11	CP9512VHK/02-11	Ratchet Plate	1
12	CP9512VHK/02-12	Torque Adjust Cap	1
13	CP9512VHK/02-13	Clutch Ring Holder	1
14	CP9512VHK/02-14	Torque Spring	1
15	CP9512VHK/02-15	Washer, Clutch	1
16	CP9512VHK/02-16	Oil Bush	1
17	CP9512VHK/02-17	Steel Ball, Clutch	16
18	CP9512VHK/02-18	Gear Box (Shell)	1
19	CP9512VHK/02-19	Ring Gear	1
20	CP9512VHK/02-20	Planet Carrier	1
21	CP9512VHK/02-21	Planet Gear	3
22	CP9512VHK/02-22	Sun Gear	1
23	CP9512VHK/02-23	Planet Gear	3
24	CP9512VHK/02-24	Washer-Ring	1
25	CP9512VHK/02-25	Gear Box (Cover)	1
26	CP9512VHK/02-26	Tapping Screw, Rear	3
27	CP9512VHK/02-27	Pinion	1

