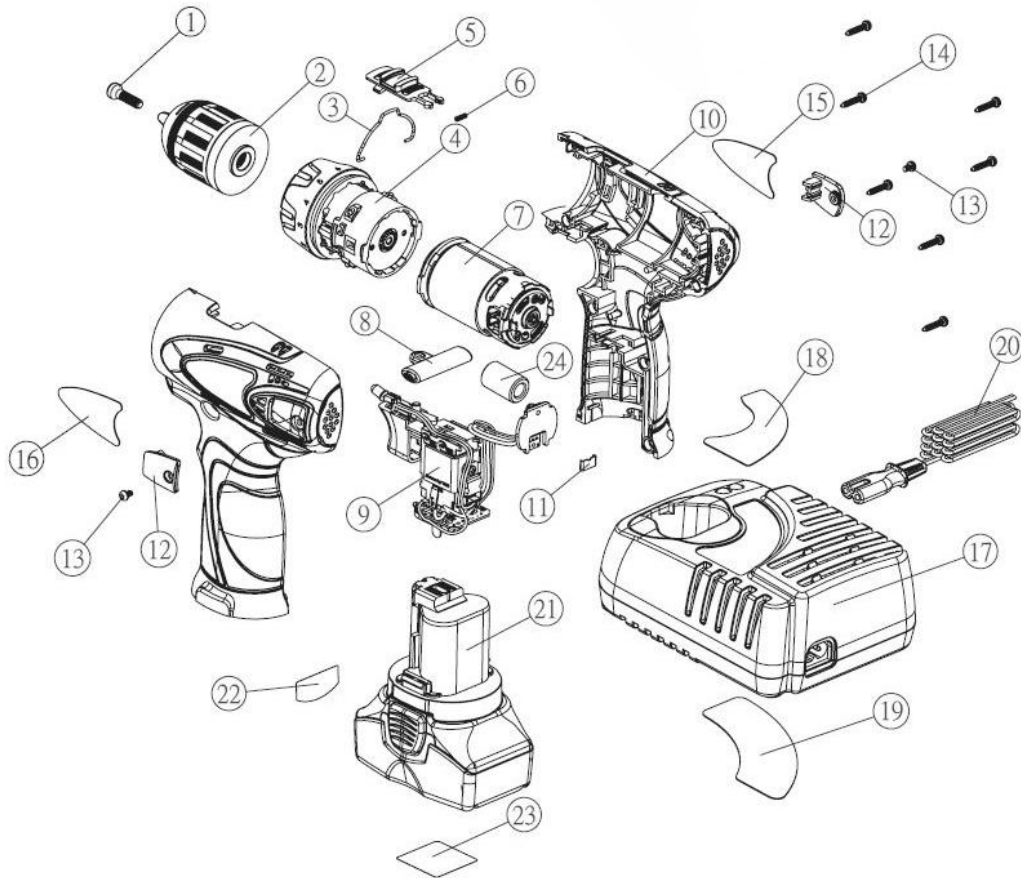




Parts Information:
**Cordless Drill/Driver 14.4V 2Ah Lithium-ion
 10mm 2-Speed Motor - 2 Batteries 40min
 Charger**
Model No: CP6004



Item	Part No.	Description
1	CP6004.01	SCREW (L/H THREAD)
2	DC/J-38HC	DRILL CHUCK KEYLESS 3/8" X 24
3	CP6004.03	SPEED CHANGE SPRING
4	CP6004.04	GEARBOX ASS'Y
5	CP6004.05	HIGH/LOW SPEED ROD
6	CP6004.06	ROD SPRING
7	CP6004.07	MOTOR ASS'Y
8	CP6001.11	FORWARD/REVERSE ROD
9	CP6004.09	SWITCH ASS'Y
10	CP6004.10	HOUSING COMPLETE
11	CP6001.15	FIXING PLATE
12	CP6004.12	SIDE COVER

Item	Part No.	Description
13	CP6002.14	SCREW
14	CP6001.14	BODY SCREW
15	CP6004.15	HOUSING LABEL (RIGHT SIDE)
16	CP6004.16	HOUSING LABEL (LEFT SIDE)
17	CP60MC	LITHIUM-ION BATTERY CHARGER 14.4V 40min
18	CP6004.18	CHARGER LABEL (UPPER)
19	CP6004.19	CHARGER LABEL (LOWER)
20	CP6001.23	POWER CORD (2-PIN)
21	CP60BP	C/LESS TOOL BATTERY 14.4V 2Ah LI
22	CP6004.22	BATTERY INDICATOR LABEL
23	CP6004.23	BATTERY LABEL
24	CP6004.24	MAGNETIC CORE

NOTE: It is our policy to continually improve products and as such we reserve the right to alter data, specifications and component parts without prior notice.

IMPORTANT: No liability is accepted for incorrect use of product.

WARRANTY: Guarantee is 12 months from purchase date, proof of which will be required for any claim.

Sealey Group, Kempson Way, Suffolk Business Park, Bury St Edmunds, Suffolk. IP32 7AR



01284 757500



01284 703534



sales@sealey.co.uk



www.sealey.co.uk