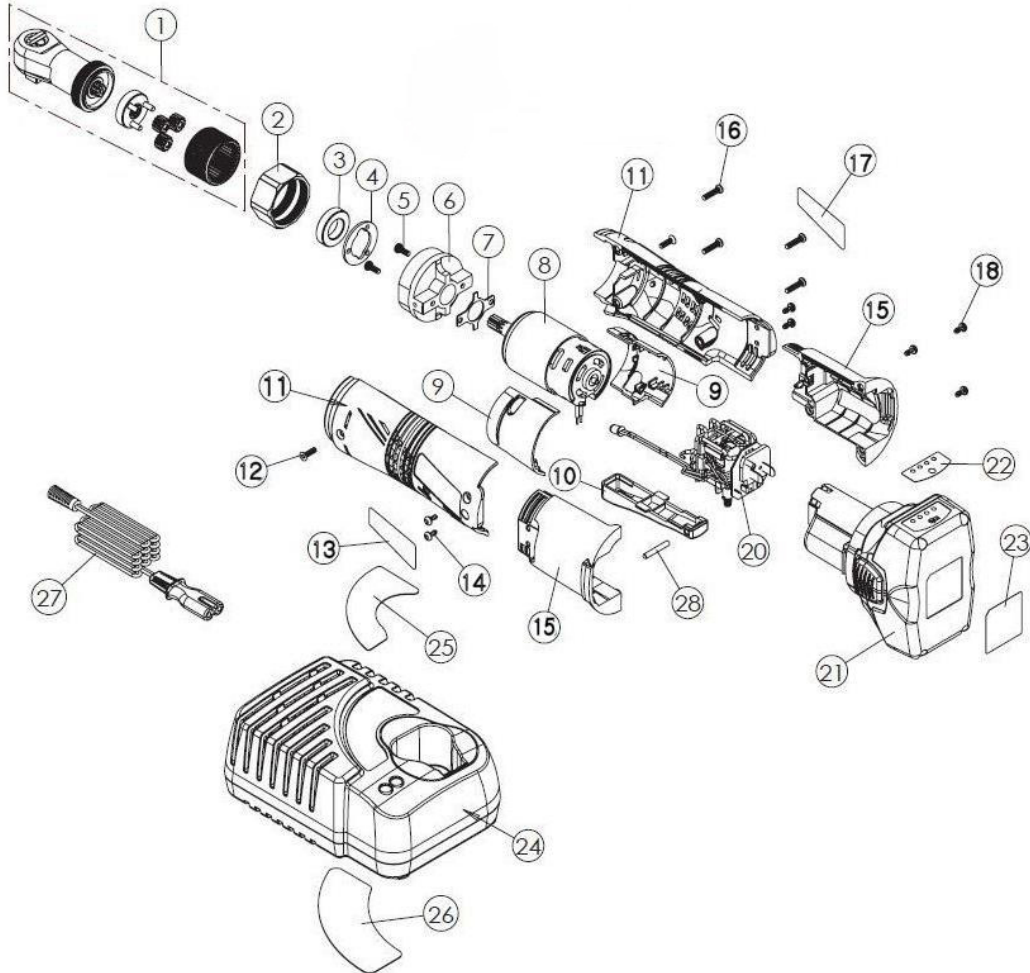




Parts Information:
**Cordless Ratchet Wrench 14.4V 2Ah
 Lithium-ion 3/8" Sq Drive 68Nm 4-Pole
 Motor - 2 Batteries 40min Charger
 Model No: CP6002**



Item	Part No.	Description
1	CP6002.01	RATCHET HEAD ASS'Y
2	CP6002.02	NUT
3	CP6002.03	BUSH
4	CP6002.04	WASHER DISC WITH 3 HOLES
5	CP6002.05	SCREW
6	CP6002.06	MOTOR BLOCK
7	CP6002.07	WASHER/GASKET
8	CP6002.08	MOTOR ASS'Y
9	CP6002.09	INSULATION ASS'Y
10	CP6002.10	TRIGGER
11	CP6002.11	HOUSING ASS'Y
12	CP6002.12	SCREW
13	CP6002.13	HOUSING LABEL (LEFT SIDE)
14	CP6002.14	SCREW

Item	Part No.	Description
15	CP6002.15	BATTERY HOUSING ASS'Y
16	CP6002.16	SCREW
17	CP6002.17	HOUSING LABEL (RIGHT SIDE)
18	CP6002.18	SCREW
--	CP6002.19	HEAT SHRINKING TUBE (NOT SHOWN)
20	CP6002.20	PCB ASS'Y
21	CP60BP	C/LESS TOOL BATTERY 14.4V 2Ah LI for
22	CP6002.22	BATTERY INDICATOR LABEL
23	CP6002.23	BATTERY LABEL
24	CP60MC	LITHIUM-ION BATTERY CHARGER 14.4V 40min
25	CP6002.25	CHARGER LABEL (UPPER)
26	CP6002.26	CHARGER LABEL (LOWER)
27	CP6001.23	POWER CORD (2-PIN)
28	CP6002.28	PIN

NOTE: It is our policy to continually improve products and as such we reserve the right to alter data, specifications and component parts without prior notice.

IMPORTANT: No liability is accepted for incorrect use of product.

WARRANTY: Guarantee is 12 months from purchase date, proof of which will be required for any claim.

Sealey Group, Kempson Way, Suffolk Business Park, Bury St Edmunds, Suffolk. IP32 7AR



01284 757500



01284 703534



sales@sealey.co.uk



www.sealey.co.uk