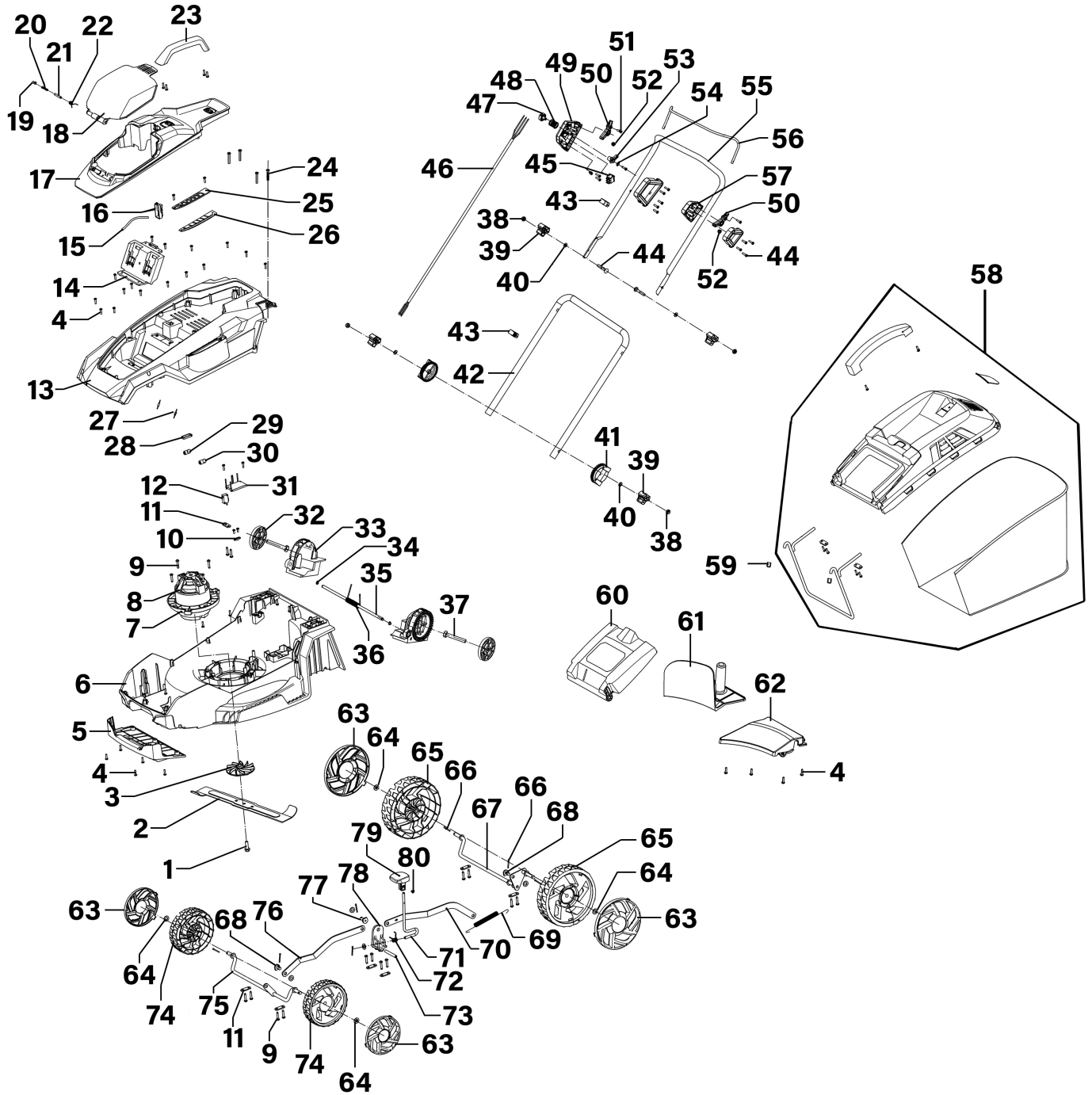




Parts Information:
Cordless Lawn Mower 40V SV20 Series
40cm - Body Only
Model No: CP40VLM



Item	Part No.	Description	Qty
1	CP40VLM-01	Hex Flange Bolt	1
2	CP40VLM-02	Grass Cutting Blade	1
3	CP40VLM-03	Cutting Blade Connector	1
4	CP40VLM-04	Tapping Screw	66
5	CP40VLM-05	Front Support	1

Item	Part No.	Description	Qty
6	CP40VLM-06	Lower Base Cover	1
7	CP40VLM-07	Motor Base	1
8	CP40VLM-08	Motor	1
9	CP40VLM-09	Panhead Tapping Screw	18
10	CP40VLM-10	Wire Grip	2

NOTE: It is our policy to continually improve products and as such we reserve the right to alter data, specifications and component parts without prior notice. There may be alternative versions of this product, please contact us should you require this information.

IMPORTANT: No liability is accepted for incorrect use of product. Spare parts must be fitted by a competent person

WARRANTY: Guarantee is 12 months from purchase date, proof of which will be required for any claim.

Sealey Group, Kempson Way, Suffolk Business Park, Bury St Edmunds, Suffolk. IP32 7AR



01284 757500



sales@sealey.co.uk



www.sealey.co.uk



Parts Information:
Cordless Lawn Mower 40V SV20 Series
40cm - Body Only
Model No: CP40VLM

Item	Part No.	Description	Qty
11	CP40VLM-11	Axle Pressing Plate	7
12	CP40VLM-12	Micro Switch	1
13	CP40VLM-13	Upper Base Cover	1
14	CP40VLM-14	Battery Back Base	1
15	CP40VLM-15	Starter Rope	1
16	CP40VLM-16	Safety Lock	1
17	CP40VLM-17	Middle Cover	1
18	CP40VLM-18	Transparent Cover	1
19	CP40VLM-19	Transparent Cover Fixing Pin	1
20	CP40VLM-20	Transparent Cover Fixing Spring	1
21	CP40VLM-21	Torsion Spring Locating Pin	1
22	CP40VLM-22	Reset Torsion Spring	1
23	CP40VLM-23	Upper/Lower Cover Handle	1
24	CP40VLM-24	Panhead Tapping Screw	4
25	CP40VLM-25	High Gear Plate	1
26	CP40VLM-26	Gear Dust Shield	1
27	CP40VLM-27	Resistor	2
28	CP40VLM-28	Inductance	1
29	CP40VLM-29	Magnetic Ring (A)	1
30	CP40VLM-30	Magnetic Ring (B)	1
31	CP40VLM-31	Body Plate Assembly	1
32	CP40VLM-32	Support Cover Plate	2
33	CP40VLM-33	Steel Fixing Bracket	1
34	CP40VLM-34	Circlip	2
35	CP40VLM-35	Rotating Shaft	1
36	CP40VLM-36	Rotating Shaft Spring	1
37	CP40VLM-37	Hex Head Bolt	2
38	CP40VLM-38	Hex Nut	4
39	CP40VLM-39	Adjustment Knob	4
40	CP40VLM-40	Washer	4
41	CP40VLM-41	Adjustment Knob Base	2
42	CP40VLM-42	Lower Handle	1
43	CP40VLM-43	Wire Clamp	2
44	CP40VLM-44	Bolt	2
45	CP40VLM-45	Reset Switch	1
46	CP40VLM-46	Internal Wire	1

Item	Part No.	Description	Qty
47	CP40VLM-47	Main Switch Button	1
48	CP40VLM-48	Trigger Button Switch	1
49	CP40VLM-49	Switch Box Bottom Cover	1
50	CP40VLM-50	Switch Box Connector	2
51	CP40VLM-51	Pan Head Screw	2
52	CP40VLM-52	Tension Spring	2
53	CP40VLM-53	Switch Button Connector	1
54	CP40VLM-54	Gasket	1
55	CP40VLM-55	Upper Handle	1
56	CP40VLM-56	Starting Lever Handle	1
57	CP40VLM-57	Box Bottom Cover	1
58	CP40VLM-58	Collection Bag Assembly	1
59	CP40VLM-59	Rubber Protective Sleeve	2
60	CP40VLM-60	Collection Bag Upper Cover	1
61	CP40VLM-61	Grass Cutting Stopper	1
62	CP40VLM-62	Base Connector	1
63	CP40VLM-63	Front/Rear Wheel Cover	2
64	CP40VLM-64	Wheel Retaining Ring	8
65	CP40VLM-65	Rear Wheel	2
66	CP40VLM-66	Split Pin	8
67	CP40VLM-67	Rear Axle Assembly	1
68	CP40VLM-68	Pin (Short)	2
69	CP40VLM-69	Connecting Rod Tension Spring	1
70	CP40VLM-70	Connecting Rod for Height Adjustment	1
71	CP40VLM-71	Height Adjustment Lever	1
72	CP40VLM-72	Height Adjustment Rod Torsion Spring	1
73	CP40VLM-73	Height Adjustment Shaft	1
74	CP40VLM-74	Front Wheel	2
75	CP40VLM-75	Front Wheel Axle Assembly	1
76	CP40VLM-76	Front Connecting Rod for Height Adjustment	1
77	CP40VLM-77	Pin (Long)	1
78	CP40VLM-78	Height Adjusting Rotary Seat	1
79	CP40VLM-79	Height Adjusting Handle	1
80	CP40VLM-80	Countersunk Head Screw	1

NOTE: It is our policy to continually improve products and as such we reserve the right to alter data, specifications and component parts without prior notice. There may be alternative versions of this product, please contact us should you require this information.

IMPORTANT: No liability is accepted for incorrect use of product. Spare parts must be fitted by a competent person

WARRANTY: Guarantee is 12 months from purchase date, proof of which will be required for any claim.

Sealey Group, Kempson Way, Suffolk Business Park, Bury St Edmunds, Suffolk. IP32 7AR



01284 757500



sales@sealey.co.uk



www.sealey.co.uk