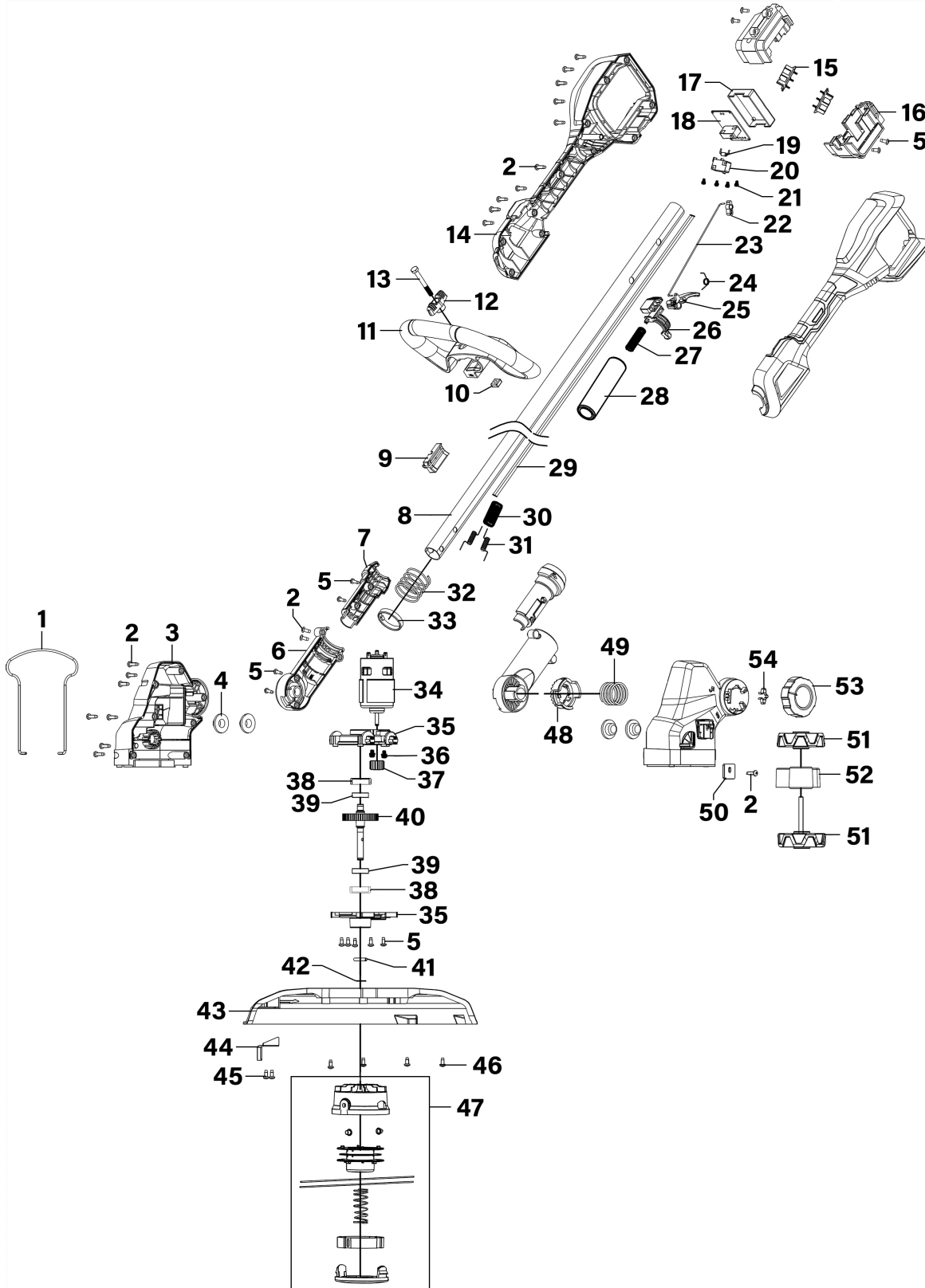




Parts Information:
Grass Strimmer 40V SV20 Series 30cm -
Body Only
Model No: CP40VGS



NOTE: It is our policy to continually improve products and as such we reserve the right to alter data, specifications and component parts without prior notice. There may be alternative versions of this product, please contact us should you require this information.

IMPORTANT: No liability is accepted for incorrect use of product. Spare parts must be fitted by a competent person

WARRANTY: Guarantee is 12 months from purchase date, proof of which will be required for any claim.

Sealey Group, Kempson Way, Suffolk Business Park, Bury St Edmunds, Suffolk. IP32 7AR



01284 757500



sales@sealey.co.uk



www.sealey.co.uk



Parts Information:
**Grass Strimmer 40V SV20 Series 30cm -
Body Only**
Model No: CP40VGS

Item	Part No.	Description	Qty
1	CP40VGS-01	Protection Guard	1
2	CP40VGS-02	Panhead Tapping Screw	20
3	CP40VGS-03	Body Bottom Cover	1
4	CP40VGS-04	Shock Absorber	4
5	CP40VGS-05	Panhead Tapping Screw	13
6	CP40VGS-06	Rotary Arm Bottom Cover	1
7	CP40VGS-07	Lifting Sleeve Bottom Cover	1
8	CP40VGS-08	Aluminium Extension Tube	1
9	CP40VGS-09	Auxiliary Handle Side Cover	1
10	CP40VGS-10	Square Nut	1
11	CP40VGS-11	Auxiliary Handle	1
12	CP40VGS-12	Auxiliary Handle Knob	1
13	CP40VGS-13	Hex Head Bolt	1
14	CP40VGS-14	Handle Bottom Cover	1
15	CP40VGS-15	Battery Connection	2
16	CP40VGS-16	Socket Bottom Cover	1
17	CP40VGS-17	Control Box	1
18	CP40VGS-18	Control Board	1
19	CP40VGS-19	Diode	1
20	CP40VGS-20	Micro Switch	1
21	CP40VGS-21	Panhead Tapping Screw	4
22	CP40VGS-22	Rocker	1
23	CP40VGS-23	Steel Rod	1
24	CP40VGS-24	Torsion Spring	1
25	CP40VGS-25	Start Switch	1
26	CP40VGS-26	Push Button	1
27	CP40VGS-27	Switch Spring	1

Item	Part No.	Description	Qty
28	CP40VGS-28	Foam Sleeve	1
29	CP40VGS-29	Internal Wire	1
30	CP40VGS-30	Inductance	1
31	CP40VGS-31	Magnetic Rod Inductance	2
32	CP40VGS-32	Steering Spring	1
33	CP40VGS-33	Locating Ring	1
34	CP40VGS-34	Motor	1
35	CP40VGS-35	Gearbox Bottom Cover	1
36	CP40VGS-36	Screw Assembly	2
37	CP40VGS-37	Motor Gear	1
38	CP40VGS-38	Bearing Washer	2
39	CP40VGS-39	Ball Bearing	2
40	CP40VGS-40	Gear (Large)	1
41	CP40VGS-41	Cylinder Pin	1
42	CP40VGS-42	Circlip for Shaft	1
43	CP40VGS-43	Protective Cover	1
44	CP40VGS-44	Cutting Blade	1
45	CP40VGS-45	Panhead Tapping Screw	2
46	CP40VGS-46	Panhead Tapping Screw	4
47	CP40VGS-47	Grass Head Cutting Assembly	1
48	CP40VGS-48	Angle Adjusting Tooth	1
49	CP40VGS-49	Angle Adjusting Spring	1
50	CP40VGS-50	Buckle	1
51	CP40VGS-51	Wheel	1
52	CP40VGS-52	Wheel Bracket	1
53	CP40VGS-53	Lock Cover	1
54	CP40VGS-54	Steel Clip	1

NOTE: It is our policy to continually improve products and as such we reserve the right to alter data, specifications and component parts without prior notice. There may be alternative versions of this product, please contact us should you require this information.

IMPORTANT: No liability is accepted for incorrect use of product. Spare parts must be fitted by a competent person

WARRANTY: Guarantee is 12 months from purchase date, proof of which will be required for any claim.

Sealey Group, Kempson Way, Suffolk Business Park, Bury St Edmunds, Suffolk. IP32 7AR



01284 757500



sales@sealey.co.uk



www.sealey.co.uk