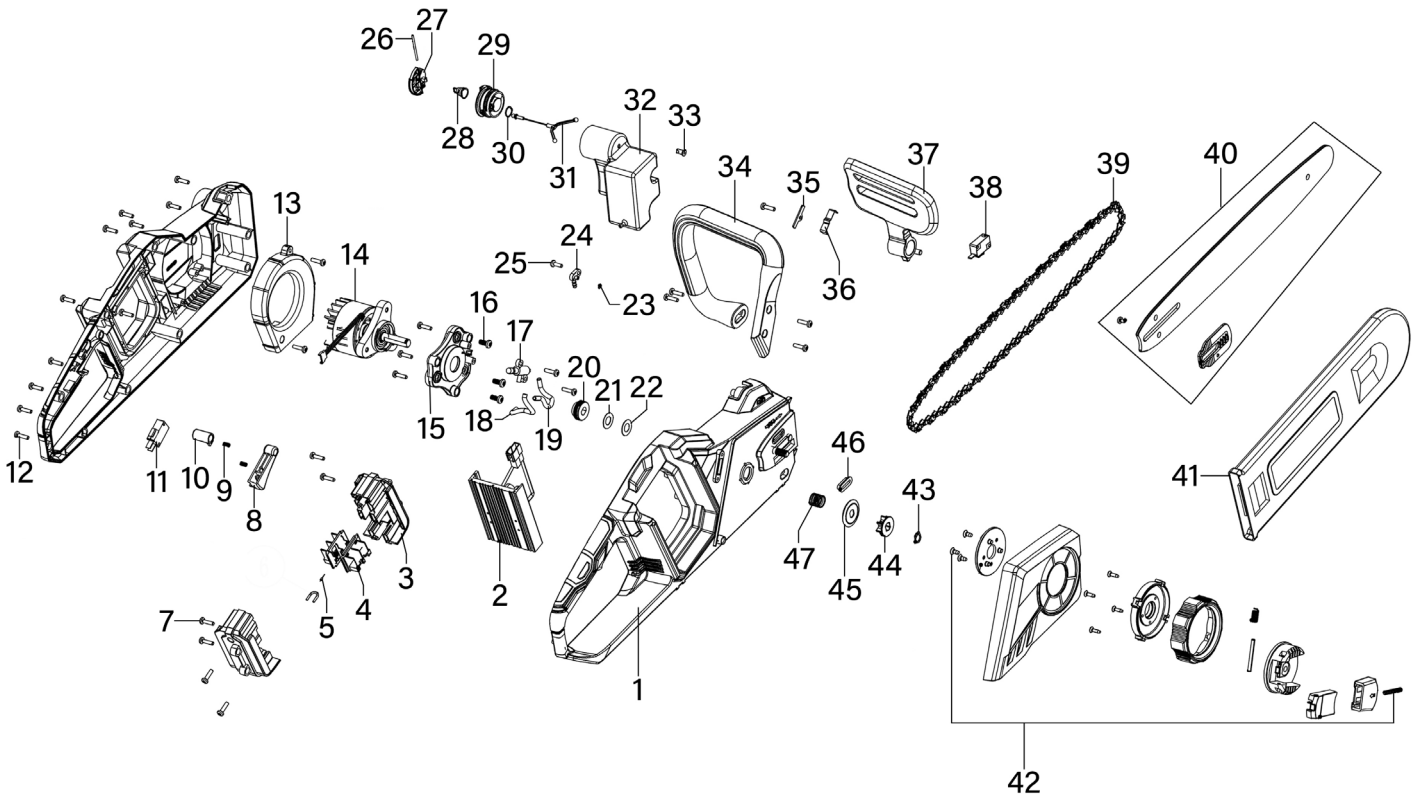




Parts Information:  
**Chainsaw 40V SV20 Series 35cm - Body Only**  
**Model No: CP40VCS**



| Item | Part No.   | Description               | Qty |
|------|------------|---------------------------|-----|
| 1    | CP40VCS-01 | Casing Complete           | 1   |
| 2    | CP40VCS-02 | Chainsaw Controller       | 1   |
| 3    | CP40VCS-03 | Cord Base Bottom Cover    | 1   |
| 4    | CP40VCS-04 | Triangle Bracket          | 2   |
| 5    | CP40VCS-05 | Resistor                  | 2   |
| 7    | CP40VCS-07 | Pan Head Tapping Screw    | 12  |
| 8    | CP40VCS-08 | Switch Button             | 1   |
| 9    | CP40VCS-09 | Switch Button Spring      | 4   |
| 10   | CP40VCS-10 | Switch Push Button        | 1   |
| 11   | CP40VCS-11 | Micro Switch              | 1   |
| 12   | CP40VCS-12 | Hex Panhead Tapping Screw | 15  |
| 13   | CP40VCS-13 | Airflow Guide Cover       | 1   |
| 14   | CP40VCS-14 | Motor                     | 1   |
| 15   | CP40VCS-15 | Motor Bracket             | 1   |
| 16   | CP40VCS-16 | Cross Panhead Screw       | 3   |
| 17   | CP40VCS-17 | Oil Pump                  | 1   |
| 18   | CP40VCS-18 | PU Oil Tube (A)           | 1   |
| 19   | CP40VCS-19 | PU Oil Tube (B)           | 1   |
| 20   | CP40VCS-20 | Oil Pump Worm Gear        | 1   |
| 21   | CP40VCS-21 | Felt Cushion              | 1   |
| 22   | CP40VCS-22 | Worm Gear Gasket          | 1   |
| 23   | CP40VCS-23 | O-Ring                    | 1   |
| 24   | CP40VCS-24 | Oil Tube Joint            | 1   |

| Item | Part No.   | Description                    | Qty |
|------|------------|--------------------------------|-----|
| 25   | CP40VCS-25 | Cross Panhead Tapping Screw    | 3   |
| 26   | CP40VCS-26 | Cylinder Pin                   | 1   |
| 27   | CP40VCS-27 | Oil Pot Cover Rotating Plate   | 1   |
| 28   | CP40VCS-28 | Cone Spring                    | 1   |
| 29   | CP40VCS-29 | Oil Pot Cover                  | 1   |
| 30   | CP40VCS-30 | O-Ring                         | 1   |
| 31   | CP40VCS-31 | Oil Pot Cover Lanyard Assembly | 1   |
| 32   | CP40VCS-32 | Oil Pot                        | 1   |
| 33   | CP40VCS-33 | Air Valve Stopper              | 1   |
| 34   | CP40VCS-34 | Front Handle                   | 1   |
| 35   | CP40VCS-35 | Pressing Plate                 | 1   |
| 36   | CP40VCS-36 | Brake Spring                   | 1   |
| 37   | CP40VCS-37 | Brake Baffle                   | 1   |
| 38   | CP40VCS-38 | Micro Switch                   | 1   |
| 39   | CP40VCS-39 | Chain                          | 1   |
| 40   | CP40VCS-40 | Guide Assembly                 | 1   |
| 41   | CP40VCS-41 | Chainsaw Protection Sleeve     | 1   |
| 42   | CP40VCS-42 | Side Cover Assembly            | 1   |
| 43   | CP40VCS-43 | Internal Circlip               | 1   |
| 44   | CP40VCS-44 | Sprocket Gear (6-Tooth)        | 1   |
| 45   | CP40VCS-45 | Sprocket Gasket                | 1   |
| 46   | CP40VCS-46 | Oil Outlet Sealing Ring        | 1   |
| 47   | CP40VCS-47 | Sprocket Spring                | 1   |

**NOTE:** It is our policy to continually improve products and as such we reserve the right to alter data, specifications and component parts without prior notice. There may be alternative versions of this product, please contact us should you require this information.

**IMPORTANT:** No liability is accepted for incorrect use of product. Spare parts must be fitted by a competent person

**WARRANTY:** Guarantee is 12 months from purchase date, proof of which will be required for any claim.

Sealey Group, Kempson Way, Suffolk Business Park, Bury St Edmunds, Suffolk. IP32 7AR



01284 757500



sales@sealey.co.uk



www.sealey.co.uk