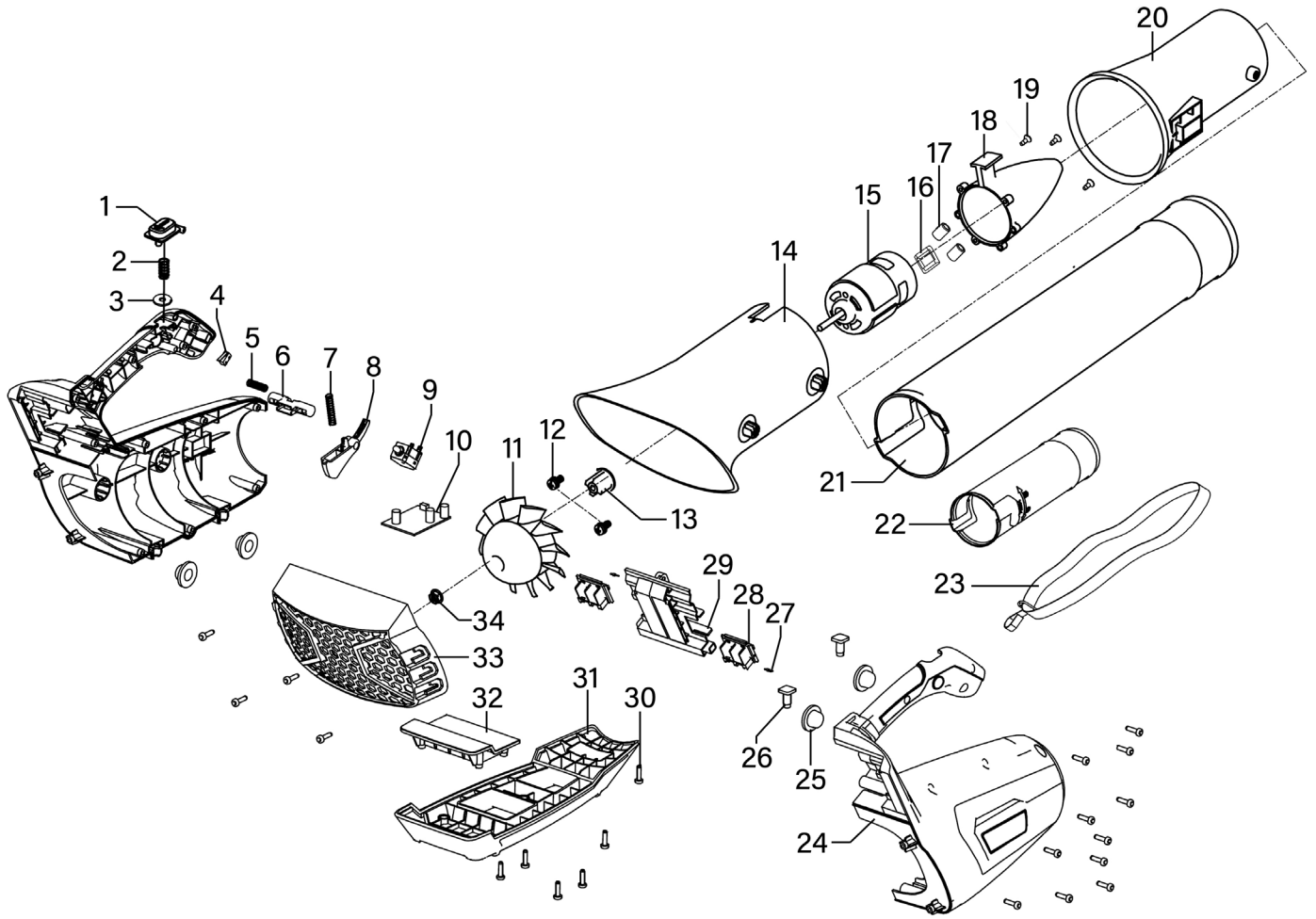




Parts Information:
**Cordless Blower 40V SV20 Series -
 Body Only**
Model No: CP40VB



Item	Part No.	Description	Qty
1	CP40VB-01	Boost Button	1
2	CP40VB-02	Boost Button Spring	1
3	CP40VB-03	Washer	1
4	CP40VB-04	Boost Switch	1
5	CP40VB-05	Push Button Torsion Spring	1
6	CP40VB-06	Push Button	1
7	CP40VB-07	Switch Spring	1
8	CP40VB-08	Switch Trigger	1
9	CP40VB-09	Switch	1
10	CP40VB-10	Boost Control Panel	1
11	CP40VB-11	Fan Blade	1
12	CP40VB-12	Screw Assembly	2
13	CP40VB-13	Shaft Sleeve	1
14	CP40VB-14	Motor Bracket	1
15	CP40VB-15	Motor	1
16	CP40VB-16	Inductance	1
17	CP40VB-17	Magnetic Ring	2

Item	Part No.	Description	Qty
18	CP40VB-18	Air Duct Cover	1
19	CP40VB-19	Panhead Tapping Screw ST3x14	3
20	CP40VB-20	Airflow Tube Connection	1
21	CP40VB-21	Airflow Tube	1
22	CP40VB-22	Airflow Tube (Small)	1
23	CP40VB-23	Strap	1
24	CP40VB-24	Handle Bottom Cover	1
25	CP40VB-25	Shock Absorber	4
26	CP40VB-26	Lock Sleeve	2
27	CP40VB-27	Resistor	2
28	CP40VB-28	Battery Connection	2
29	CP40VB-29	Centre Bracket	1
30	CP40VB-30	Panhead Tapping Screw	21
31	CP40VB-31	Bottom Cover	1
32	CP40VB-32	Bracket Cover	1
33	CP40VB-33	Rear Cover	1
34	CP40VB-34	Flange Lock Nut M5	1

NOTE: It is our policy to continually improve products and as such we reserve the right to alter data, specifications and component parts without prior notice. There may be alternative versions of this product, please contact us should you require this information.

IMPORTANT: No liability is accepted for incorrect use of product. Spare parts must be fitted by a competent person

WARRANTY: Guarantee is 12 months from purchase date, proof of which will be required for any claim.

Sealey Group, Kempson Way, Suffolk Business Park, Bury St Edmunds, Suffolk. IP32 7AR



01284 757500



sales@sealey.co.uk



www.sealey.co.uk