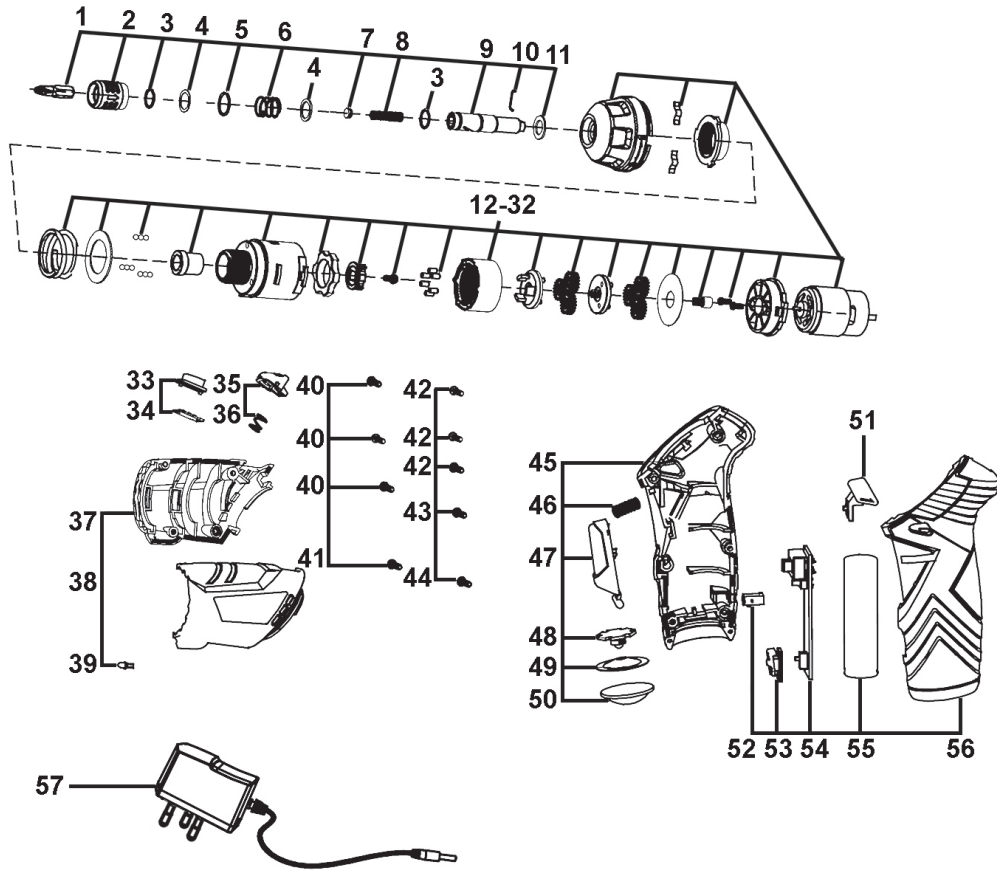




Parts Information:
Cordless Screwdriver Set 53pc 3.6V
Lithium-ion
Model No: CP36S.V3



Item	Part No.	Description
1	CP36B.01	BIT
2	CP36B.02	BUSHING FOR QUICK CHANGE SHAFT
3	CP36B.03	C-RING
4	CP36B.04	WASHER FOR QUICK CHANGE SHAFT
5	CP36B.05	C-RING
6	CP36B.06	SPRING FOR QUICK CHANGE SHAFT
7	CP36B.07	RUBBER BUSHING
8	CP36B.08	SPRING FOR OUTPUT SHAFT
9	CP36B.09	OUTPUT SHAFT
10	CP36B.10	WIRE CLASP
11	CP36B.11	WASHER FOR OUTPUT SHAFT
12-32	CP36B.12-32	GEARBOX & MOTOR ASSEMBLY
33	CP36B.33	BATTERY INDICATOR COVER
34	CP36B.34	BATTERY INDICATOR PCB
35	CP36B.35	ROTATION BUTTON
36	CP36B.36	SPRING FOR ROTATION BUTTON
37	CP36B.37	HOUSING SUPPORT
38	CP36B.38	HOUSING COVER
39	CP36S.V3-39	LED

Item	Part No.	Description
40	CP36S.V3-40	SELF-TAPPING SCREW ST2.5x12
41	CP36S.V3-41	SELF-TAPPING SCREW ST2.5x8
42	CP36B.40	SELF TAPPING SCREW (ST2.5x12)
43	CP36MS.45	SELF TAPPING SCREW (ST2.5x12)
44	CP36S.V3-44	SELF-TAPPING SCREW ST3x16
45	CP36S.V3-45	RIGHT SIDE HANDLE
46	CP36B.43	SWITCH SPRING
47	CP36S.V3-47	SWITCH BUTTON
48	CP36S.V3-48	LED PANEL
49	CP36S.V3-49	REFLECTIVE CAP
50	CP36S.V3-50	PROTECTIVE COVER
51	CP36S.V3-51	BUTTON F/R
52	CP36S.V3-52	CHARGING CONNECTOR
53	CP36S.V3-53	LIGHT BUTTON
54	CP36S.V3-54	PCB ASS'Y
55	CP36B.47	LITHIUM-ION BATTERY 3.6V
56	CP36S.V3-56	LEFT SIDE HANDLE
57	CP36S.V3-57	MAIN CHARGER

NOTE: It is our policy to continually improve products and as such we reserve the right to alter data, specifications and component parts without prior notice.

IMPORTANT: No liability is accepted for incorrect use of product.

WARRANTY: Guarantee is 12 months from purchase date, proof of which will be required for any claim.

Sealey Group, Kempson Way, Suffolk Business Park, Bury St Edmunds, Suffolk. IP32 7AR



01284 757500



01284 703534



sales@sealey.co.uk



www.sealey.co.uk