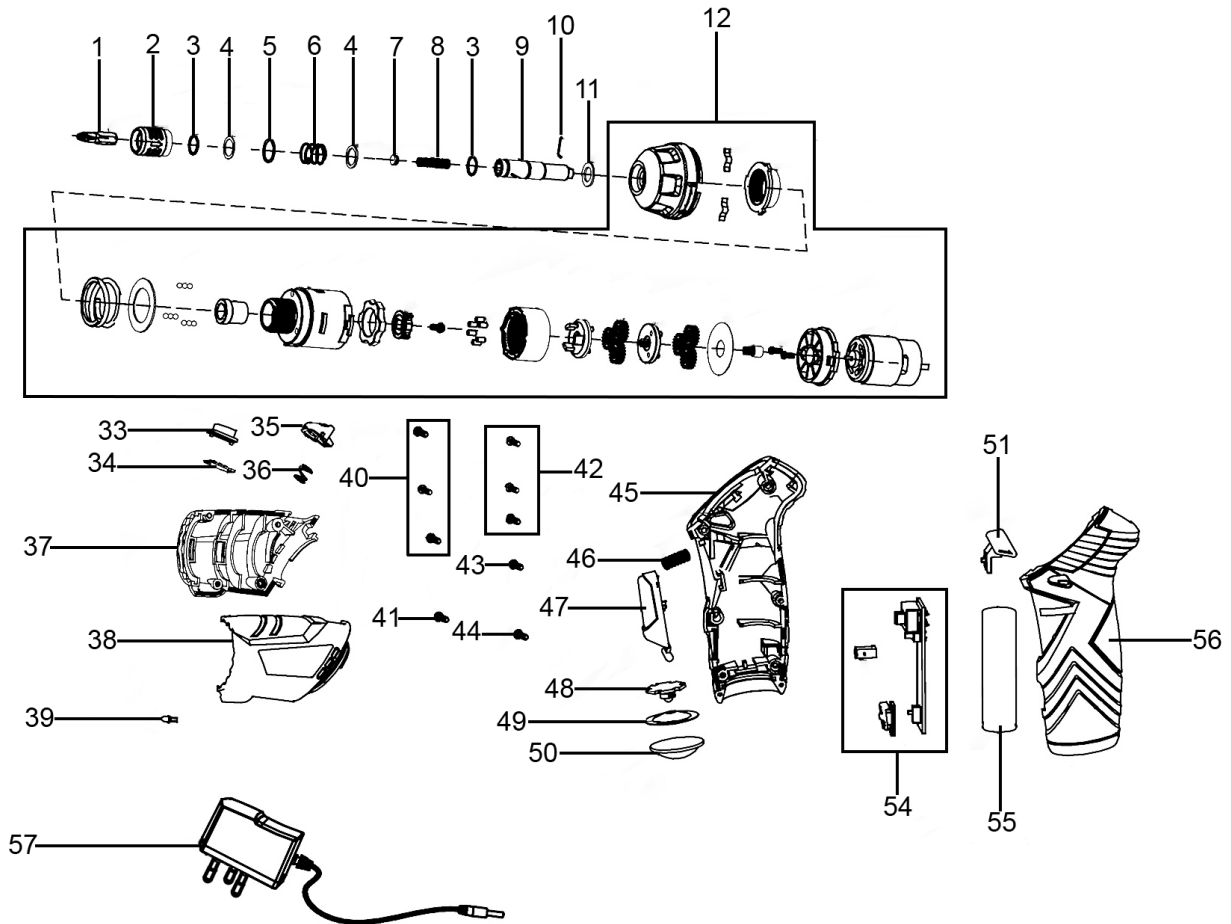




Parts Information:
Cordless Screwdriver Set 53pc 3.6V
Lithium-ion
Model No: CP36S.V4



| Item | Part No. | Description |
|------|-------------|--------------------------|
| 1 | CP36B.01 | Bit |
| 2 | CP36B.02 | Bushing |
| 3 | CP36B.03 | C-Ring |
| 4 | CP36B.04 | Washer |
| 5 | CP36B.05 | C-Ring |
| 6 | CP36B.06 | Spring |
| 7 | CP36B.07 | Rubber Bushing |
| 8 | CP36B.08 | Spring, Output Shaft |
| 9 | CP36B.09 | Output Shaft |
| 10 | CP36B.10 | Wire Clasp |
| 11 | CP36B.11 | Washer, Output Shaft |
| 12 | CP36B.12-32 | Gearbox & Motor Assembly |
| 33 | CP36B.33 | Cover, Battery Indicator |
| 34 | CP36B.34 | PCB, Battery Indicator |
| 35 | CP36B.35 | Rotation Button |
| 36 | CP36B.36 | Spring, Rotation Button |
| 37 | CP36B.37 | Housing Support |
| 38 | CP36B.38 | Housing Cover |

| Item | Part No. | Description |
|------|-------------|---------------------------------|
| 39 | CP36S.V3-39 | Led |
| 40 | CP36S.V3-40 | Self-Tapping Screw ST2.5 x 12mm |
| 41 | CP36S.V3-41 | Self-Tapping Screw ST2.5 x 8mm |
| 42 | CP36B.40 | Self-Tapping Screw ST2.5 x 12mm |
| 43 | CP36MS.45 | Self-Tapping Screw ST2.5 x 12mm |
| 44 | CP36S.V3-44 | Self-Tapping Screw ST3 x 16mm |
| 45 | CP36S.V3-45 | Side Handle, Right |
| 46 | CP36B.43 | Spring, Switch |
| 47 | CP36S.V3-47 | Button, Switch |
| 48 | CP36S.V3-48 | LED Panel |
| 49 | CP36S.V3-49 | Reflective Cap |
| 50 | CP36S.V3-50 | Protective Cover |
| 51 | CP36S.V3-51 | Switch, Forward/Reverse |
| 54 | CP36S.V3-54 | PCB Assembly |
| 55 | CP36B.47 | Battery |
| 56 | CP36S.V3-56 | Side Handle, Left |
| 57 | CP36S.V4-57 | Mains Charger |

NOTE: It is our policy to continually improve products and as such we reserve the right to alter data, specifications and component parts without prior notice. There may be alternative versions of this product, please contact us should you require this information.

IMPORTANT: No liability is accepted for incorrect use of product. Spare parts must be fitted by a competent person

WARRANTY: Guarantee is 12 months from purchase date, proof of which will be required for any claim.

Sealey Group, Kempson Way, Suffolk Business Park, Bury St Edmunds, Suffolk. IP32 7AR



01284 757500



01284 703534



sales@sealey.co.uk



www.sealey.co.uk