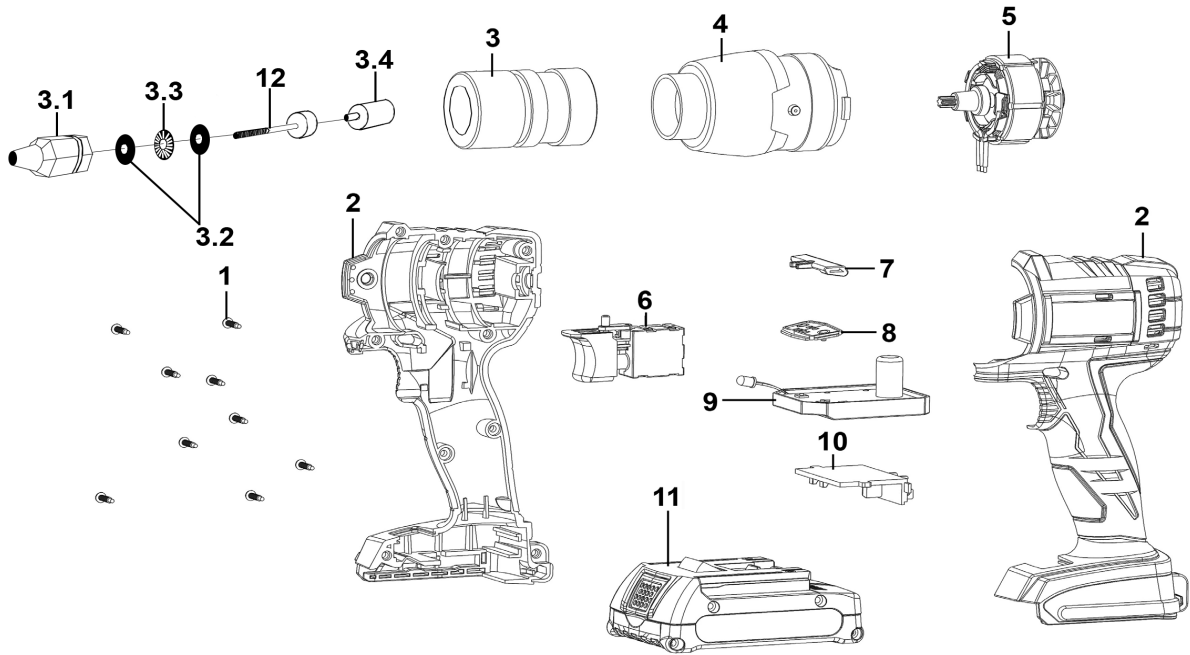




Parts Information:  
**Brushless Cordless Nut Riveter 20V 2Ah  
 Lithium-ion  
 Model No: CP316**



Item	Part No.	Description
1	CRM15.V5-20	Rd Head S/T Screw M3 x 12mm
2	CP316.02	Casing Complete
3	CP316.03	Frame Head Assembly
3.1	CP316-03A-01	Frame Head Nosepiece M3
3.2	CP316-03A-02	Spacer M3
3.3	CP316-03A-03	Bearing Race M3
3.4	CP316-03A-04	Adaptor M3
4	CP316.04	Gearbox Assembly
5	CP316.05	Brushless Motor
6	CP316.06	Switch
7	CP316.07	Switch Button Selector
8	CP316.08	Speed Control Keypad
9	CP316.09	PCB Assembly 66 x 52mm (c/w 2 x Micro Switch)
10	CP316.10	Battery Connection
11	CP3BP	Lithium-Ion Battery 20V 2Ah
12	CP316.12A	Threaded Mandrel M3
--	CP316-03B-01	Frame Head Nosepiece M4 (Not Shown)
--	CP316-03B-02	Spacer M4 (Not Shown)
--	CP316-03B-03	Bearing Race M4 (Not Shown)
--	CP316-03B-04	Adaptor M4 (Not Shown)
--	CP316-03C-01	Frame Head Nosepiece M5 (Not Shown)
--	CP316-03C-02	Spacer M5 (Not Shown)
--	CP316-03C-03	Bearing Race M5 (Not Shown)
--	CP316-03C-04	Adaptor M5 (Not Shown)

Item	Part No.	Description
--	CP316-03D-01	Frame Head Nosepiece M6 (Not Shown)
--	CP316-03D-02	Spacer M6 (Not Shown)
--	CP316-03D-03	Bearing Race M6 (Not Shown)
--	CP316-03D-04	Adaptor M6 (Not Shown)
--	CP316-03E-01	Frame Head Nosepiece M8 (Not Shown)
--	CP316-03E-02	Spacer M8 (Not Shown)
--	CP316-03E-03	Bearing Race M8 (Not Shown)
--	CP316-03E-04	Adaptor M8 (Not Shown)
--	CP316-03F-01	Frame Head Nosepiece M10 (Not Shown)
--	CP316-03F-02	Spacer M10 (Not Shown)
--	CP316-03F-03	Bearing Race M10 (Not Shown)
--	CP316-03F-04	Adaptor M10 (Not Shown)
--	CP316-03G-01	Frame Head Nosepiece M12 (Not Shown)
--	CP316-03G-02	Spacer M12 (Not Shown)
--	CP316-03G-03	Bearing Race M12 (Not Shown)
--	CP316-03G-04	Adaptor M12 (Not Shown)
--	CP316.12B	Threaded Mandrel M4 (Not Shown)
--	CP316.12C	Threaded Mandrel M5 (Not Shown)
--	CP316.12D	Threaded Mandrel M6 (Not Shown)
--	CP316.12E	Threaded Mandrel M8 (Not Shown)
--	CP316.12F	Threaded Mandrel M10 (Not Shown)
--	CP316.12G	Threaded Mandrel M12 (Not Shown)
--	CP3.MC	Mains Charger (Not Shown)
--	CP316.SC	Durable Plastic Storage Case (Not Shown)

**NOTE:** It is our policy to continually improve products and as such we reserve the right to alter data, specifications and component parts without prior notice. There may be alternative versions of this product, please contact us should you require this information.

**IMPORTANT:** No liability is accepted for incorrect use of product. Spare parts must be fitted by a competent person

**WARRANTY:** Guarantee is 12 months from purchase date, proof of which will be required for any claim.

Sealey Group, Kempson Way, Suffolk Business Park, Bury St Edmunds, Suffolk. IP32 7AR



01284 757500



sales@sealey.co.uk



www.sealey.co.uk