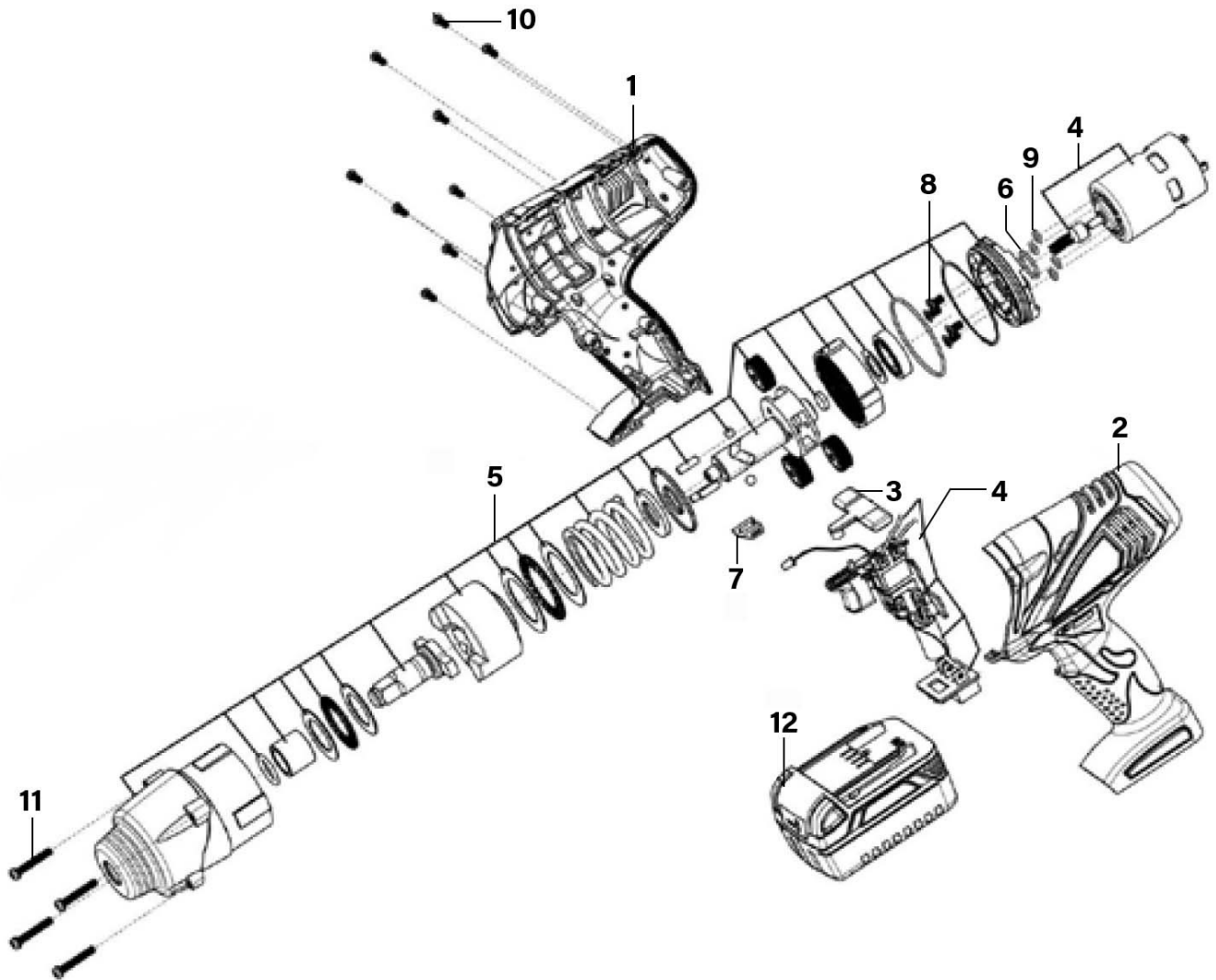


Parts Information:  
**Cordless Impact Wrench 1/2" Sq Drive**  
**650Nm 18V 4Ah Lithium-ion - 2 Batteries**  
**Model No: CP3005.V2**



Item	Part No.	Description
1	CP3005.01	Housing (R)
2	CP3005.02	Housing (L)
3	CP3005.03	Adjustment Knob
4	CP3005.04	Switch, Press Button c/w Motor 18V - MGB-3020E
4	CP3005.04A	Switch, Press Button Ass'y w/o Motor 18V - MGB-3020E
5	CP3005.05	Gearbox Ass'y
6	CP3005.06	O-Ring, (Ex: 24.09 In: 18.24 Cs: 2.93)
7	CP3005.07	Led Cover

Item	Part No.	Description
8	CP3005.08	Screw
9	SA77SV4-19	O-Ring, (Ex: 8.03 In: 4.47 Cs: 1.78)
10	CP3005.10	Screw
11	CP3005.11	Screw
12	CP3005BP4	Power Tool Battery 18V 4Ah Li-ion for CP3005
--	CP3005.13	Screw (Not Shown)
--	CP3005.14	Motor Ass'y (Internal) (Not Shown)
--	CP3005.C	Battery Charger (Not Shown)
--	CP3005.V2-BMC	Blow Mould Case (Not Shown)

**NOTE:** It is our policy to continually improve products and as such we reserve the right to alter data, specifications and component parts without prior notice. There may be alternative versions of this product, please contact us should you require this information.

**IMPORTANT:** No liability is accepted for incorrect use of product. Spare parts must be fitted by a competent person

**WARRANTY:** Guarantee is 12 months from purchase date, proof of which will be required for any claim.