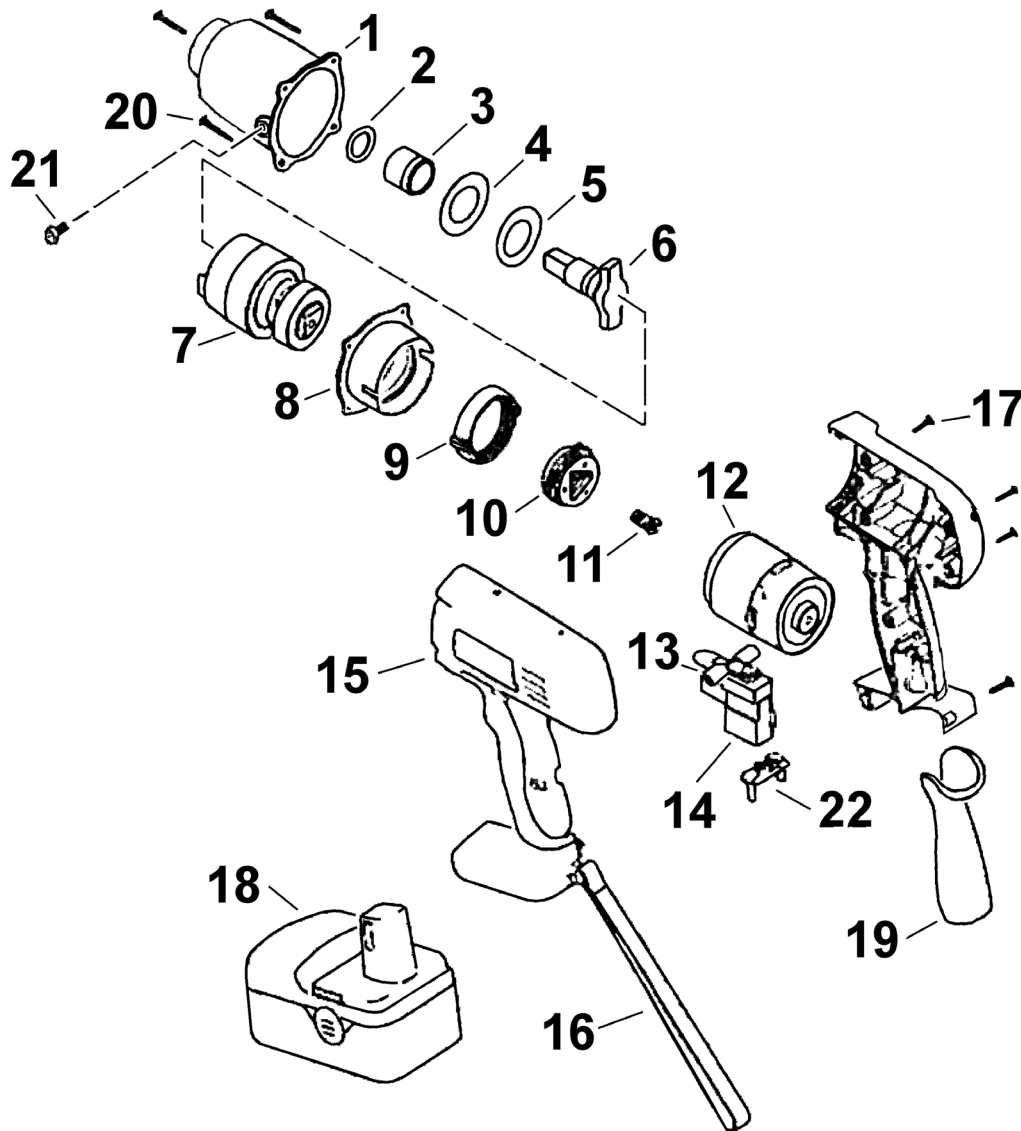




Parts Information:  
**Cordless Impact Wrench 19.2V 1/2" Sq Drive  
 Super Torque 285lb.ft  
 Model No: CP3001**



Item	Part No.	Description
1	CP3001/01	Front Cover & Bush
2	CP3001/02	O-Ring
3	CP3001/03	Front Cover & Bush
4	CP3001/04	Rubber Washer
5	CP3001/05	Washer "A"
6	CP3001/06	Front Impact Ass'y
7	CP3001/07	Rear Impact Ass'y
8	CP3001/08	Gear Ring Holder
9	CP3001/V2-07	Gear Ring
10	CP3001/10	Gear Ass'y
11	CP3001/11	Pinion
12	CP3001/12	Motor
13	CP3001/13	Forward/Reverse Rod

Item	Part No.	Description
14	CP3001/14	Switch
15	CP3001/15	Main Housing L & R
16	CP3001/16	Hand Strap
17	CP3001/17	Screw
18	CP3003BP	Cordless Power Tool Battery 19.2V
19	CP3001/19	Soft Handle
20	CP3001/20	Screw
21	CP3001/21	Screw
22	CP3001/22	Battery Connector Ass'y
--	CP3003CP	Mains Charger (NOT SHOWN)
--	CP3001/24	Side Handle (NOT SHOWN)
--	CP3001/25	Thermal Cut-Out (NOT SHOWN)
--	CP3001/25B	Thermal Cut-Out For Body (NOT SHOWN)

**NOTE:** It is our policy to continually improve products and as such we reserve the right to alter data, specifications and component parts without prior notice.

**IMPORTANT:** No liability is accepted for incorrect use of product.

**WARRANTY:** Guarantee is 12 months from purchase date, proof of which will be required for any claim.

**Sealey Group**, Kempson Way, Suffolk Business Park, Bury St Edmunds, Suffolk. IP32 7AR



01284 757500



01284 703534



sales@sealey.co.uk



www.sealey.co.uk