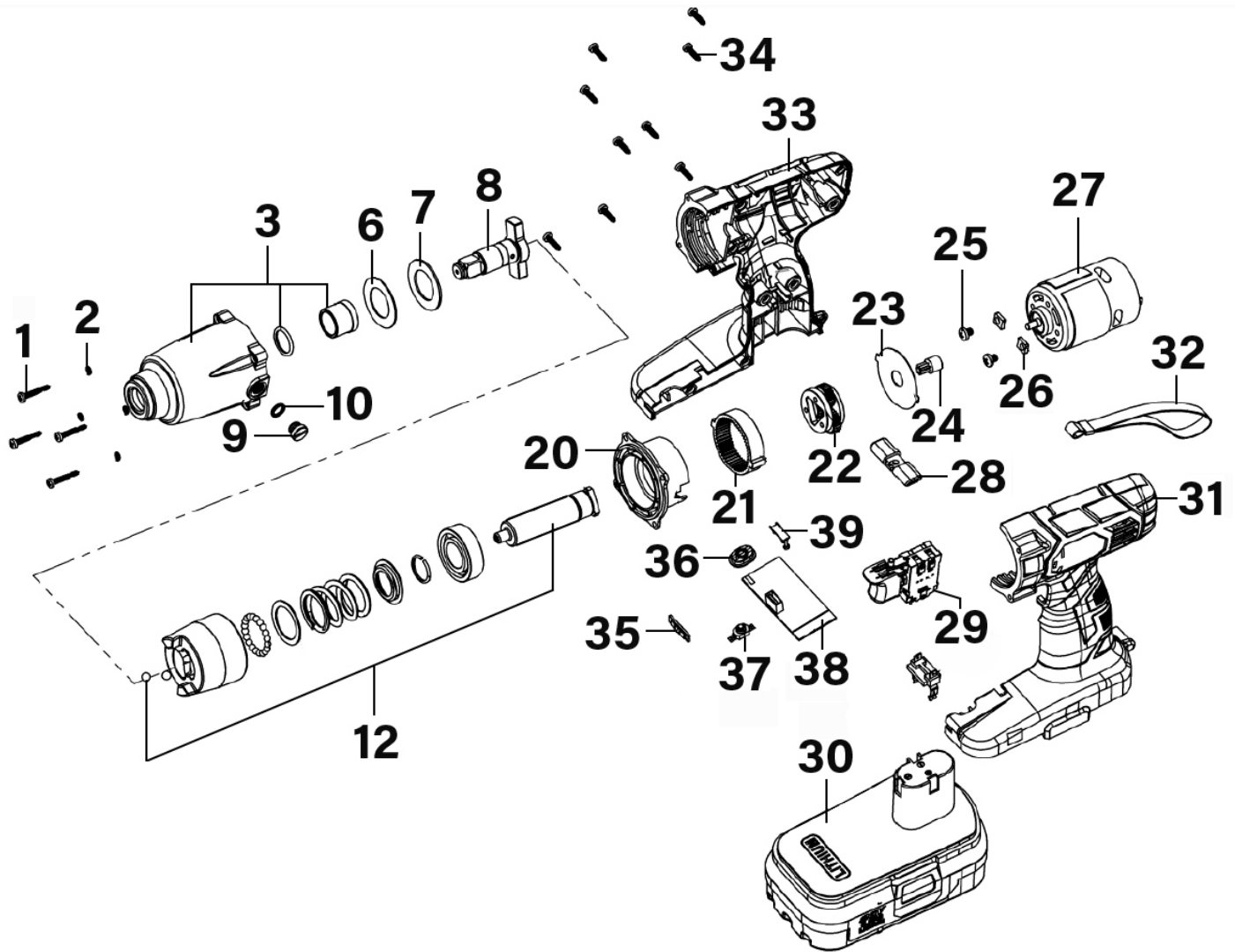




Parts Information:  
**Cordless Impact Wrench 1/2" Sq Drive**  
**335lb.ft 26V 3Ah Lithium-ion**  
**Model No: CP2600.V2**



Item	Part No.	Description
1	CP2600.01	Rd Head S/T Screw M4 X 25 Black
2	SWM4.SB	Spring Washer M4 Black
3	CP2600.03	Front Casing (c/w Bearing & O-Ring)
6	CP2600.06	Rubber Washer Black Plastic
7	CP2600.07	Shim
8	CP2600.08	Front Impact Ass'y
9	CP2600.09	Screw
10	CP2600.10	O-Ring, (Ex: 12.81 In: 9.25 Cs: 1.78)
12	CP2600.12	Rear Impact Ass'y
20	CP2600.20	Gearbox
21	CP2600.21	Gear Ring
22	CP2600.22	Planetary Gears
23	CP2600.23	Thin Disc
24	CP2600.24	Motor Pinion Gear

Item	Part No.	Description
25	MSP58.S	Pan Head Machine Screw M5x8
26	CP2600.26	Square Black Plastic Washer M5
27	CP2600.27	Motor Ass'y (Internal 26v)
28	CP2600.28	Forward/Reverse Rod
29	CP2600.29	Switch, Press Button Ass'y, 12A-24V
30	CP2600BP	Cordless Power Tool Battery, 26v, 3ah (Li-Ion)
31	CP2600.V2-31	Main Casing (Left Side)
32	CP2600.32	Hand Strap
33	CP2600.V2-33	Main Casing (Right Side)
34	CP2600.34	Rd Head S/T Screw M3.8 X 15 Black
35	CP2600.V2-35A	Led Light Ass'y (Inc 37 & 38)
36	CP2600.V2-36	Rubber Cover
39	CP2600.V2-39	Usb Rubber Cover
--	CP2600.36	Battery Charger (Not Shown)

**NOTE:** It is our policy to continually improve products and as such we reserve the right to alter data, specifications and component parts without prior notice. There may be alternative versions of this product, please contact us should you require this information.

**IMPORTANT:** No liability is accepted for incorrect use of product. Spare parts must be fitted by a competent person

**WARRANTY:** Guarantee is 12 months from purchase date, proof of which will be required for any claim.

Sealey Group, Kempson Way, Suffolk Business Park, Bury St Edmunds, Suffolk. IP32 7AR



01284 757500



01284 703534



sales@sealey.co.uk



www.sealey.co.uk