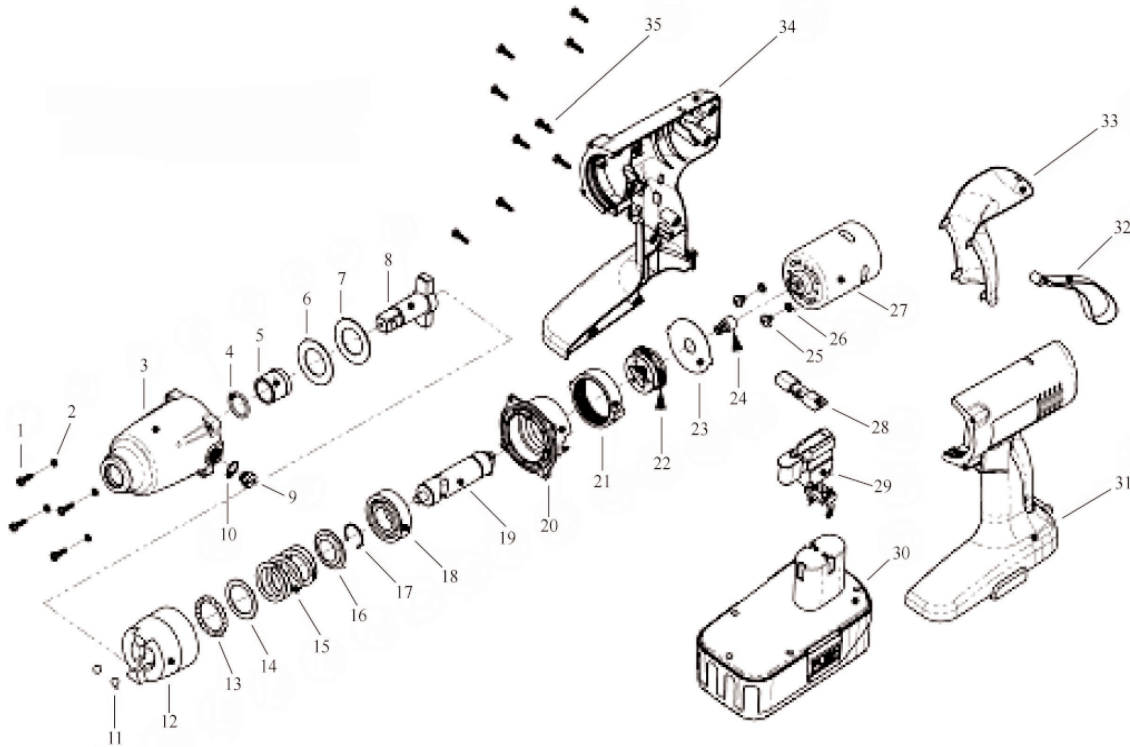




Parts Information:
**Cordless Impact Wrench 24V 1/2" Sq Drive
 325lb.ft
 Model No: CP2400.V2**



Item	Part No.	Description
1	CP2400.V2-01	RD HEAD S/T SCREW M4X24
2	SWM4.SB	SPRING WASHER M4 BLACK (SINGLE)
3	CP2400.V2-03	FRONT CASING WITH BUSH AND O-RING
4	CP2400.V2-04	O-RING 18 X 2.5
5	CP2400.V2-03	FRONT CASING WITH BUSH AND O-RING
6	CP2400.V2-06	WASHER RUBBER M24X40
7	CP2400.V2-07	SHIM
8	CP2400.V2-08	FRONT IMPACT ASSEMBLY
9	CP2400.V2-09	SCREW
10	CP2400.V2-10	O-RING
11	SB-6.4	STEEL BALL 6.4mm
12	CP2400.V2-12	REAR IMPACT BLOCK
13	SB-4.7	STEEL BALL 4.7mm
14	CP2400.V2-14	GASKET
15	CP2400.V2-15	SPRING
16	CP2400.V2-16	GASKET
17	CP2400.V2-17	BAFFLE CLIP
18	B/6004ZZ	BEARING 6004ZZ
19	CP2400.V2-19	SHAFT
20	CP2400.V2-20	GEARBOX

Item	Part No.	Description
21	CP2400.V2-21	GEAR RING
22	CP2400.V2-22	PLANETARY GEARS
23	CP2400.V2-23	SPACER
24	CP2400.V2-27A	MOTOR ASSEMBLY (c/w 24,25,26&27)
25	CP2400.V2-25	PHILLIPS HEAD MACHINE SCREW M5 X 6
26	SWM5.SB	SPRING WASHER M5 BLACK (SINGLE)
27	CP2400.V2-27A	MOTOR ASSEMBLY (c/w 24,25,26&27)
28	CP2400.V2-28	FORWARD/REVERSE ROD
29	CP2400.V2-29	SWITCH
30	CP2400BP	CORDLESS POWER TOOL BATTERY 24V
31	CP2400.V2-31	MAIN CASING (LEFT SIDE)
32	CP2400.V2-32	HAND STRAP
33	CP2400.V2-33	SOFT GRIP
34	CP2400.V2-34	MAIN CASING (RIGHT SIDE)
35	CP2400.V2-35	RD HEAD S/T SCREW M3.8 X 15 BLACK
--	CP2400.V4.C	24V C/LESS CHARGER (NOT SHOWN)
--	CP2400.V2-38	SIDE HANDLE (NOT SHOWN)
--	CP2400.V2-37	BLOW MOULDED CASE (NOT SHOWN)
--	CP1920.04-1	THERMAL CUT-OUT (NOT SHOWN)

NOTE: It is our policy to continually improve products and as such we reserve the right to alter data, specifications and component parts without prior notice.

IMPORTANT: No liability is accepted for incorrect use of product.

WARRANTY: Guarantee is 12 months from purchase date, proof of which will be required for any claim.

Sealey Group, Kempson Way, Suffolk Business Park, Bury St Edmunds, Suffolk. IP32 7AR



01284 757500



01284 703534



sales@sealey.co.uk



www.sealey.co.uk