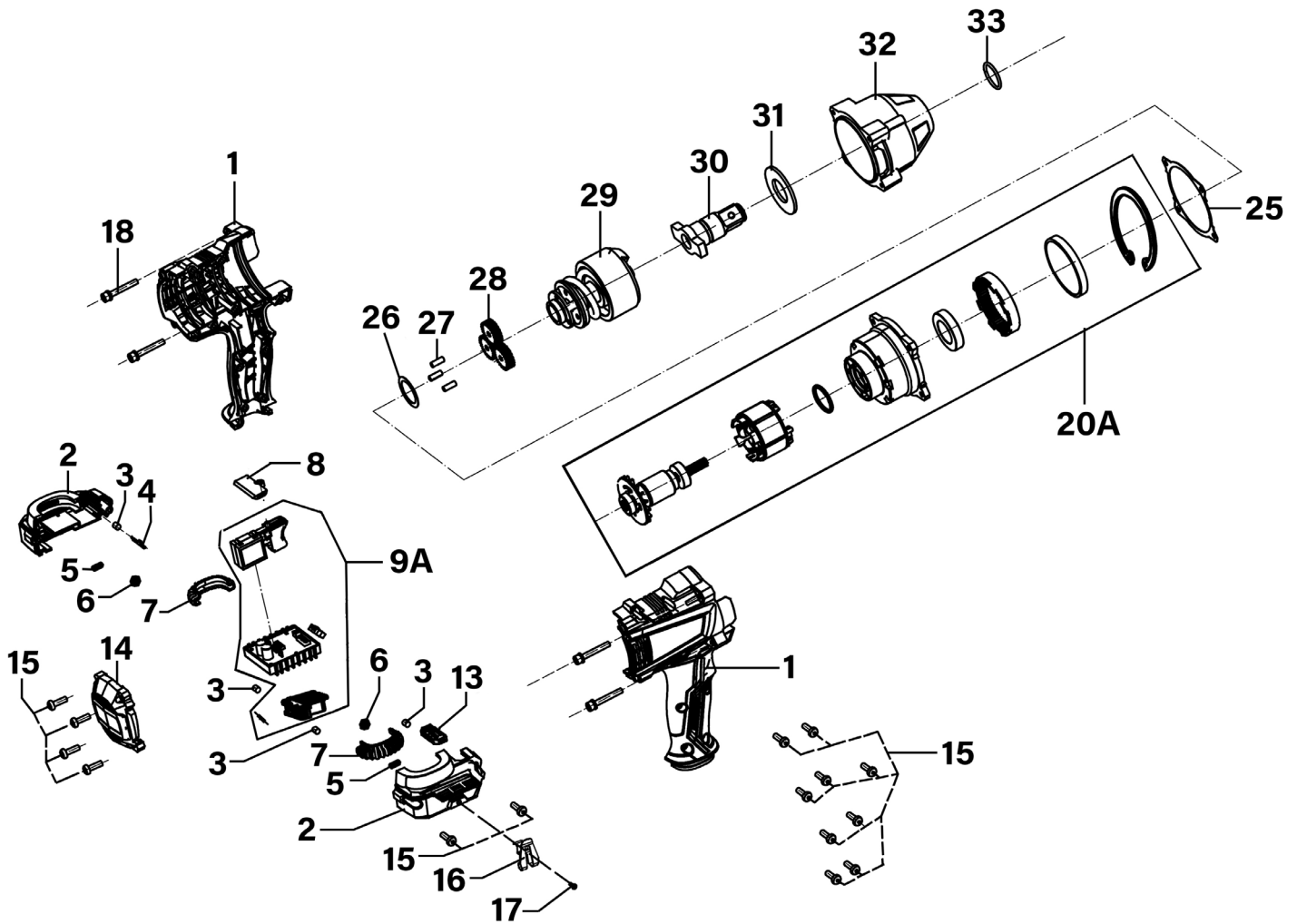




Parts Information:  
**Impact Wrench 20V SV20 Series 1/2" Sq  
 Drive - Body Only  
 Model No: CP20VXIW**



Item	Part No.	Description	Qty
1	CP20VXIW-01	Main Case Complete (Left & Right)	1
2	CP20VXIW-02	Front Support Cover	1
3	CP20VXIW-03	Rubber Pin	4
4	CP20VXIW-04	Anti-Vibration Plate	1
5	CP20VXIW-05	Anti-Vibration Spring	2
6	SN4.S	Steel Nut M4 Zinc	2
7	CP20VXIW-07	Rubber Protection Pad	2
8	CP20VXIW-08	Forward/Reverse Lever	1
9A	CP20VXIW-09A	Switch Assembly	1
13	CP20VXIW-13	Gear Frame	1
14	CP20VXIW-14	End Cap	1
15	CP20VXIW-15	Pan Head Tapping Screw ST4.2 x 16-F	15
16	CP20VXIW-16	Belt Hook	1

Item	Part No.	Description	Qty
17	CP20VXIW-17	Phillips Slot Head Screw M4x16	1
18	CP20VXIW-18	Casing Screw M5x35	4
20A	CP20VXIW-20A	Motor Assembly	1
25	CP20VXIW-25	Rear Gasket	1
26	CP20VXIW-26	Washer for Rear Impact Assembly	1
27	CP20VXIW-27	Planetary Gear Pin	3
28	CP20VXIW-28	Planetary Gear	3
29	CP20VXIW-29	Rear Impact Assembly	1
30	CP20VXIW-30	Front Impact Assembly	1
31	CP20VXIW-31	Washer for Front Impact Assembly	1
32	CP20VXIW-32	Front Casing	1
33	CP20VXIW-33	O-Ring for Front Casing	1

**NOTE:** It is our policy to continually improve products and as such we reserve the right to alter data, specifications and component parts without prior notice. There may be alternative versions of this product, please contact us should you require this information.

**IMPORTANT:** No liability is accepted for incorrect use of product. Spare parts must be fitted by a competent person

**WARRANTY:** Guarantee is 12 months from purchase date, proof of which will be required for any claim.

Sealey Group, Kempson Way, Suffolk Business Park, Bury St Edmunds, Suffolk. IP32 7AR



01284 757500



sales@sealey.co.uk



www.sealey.co.uk