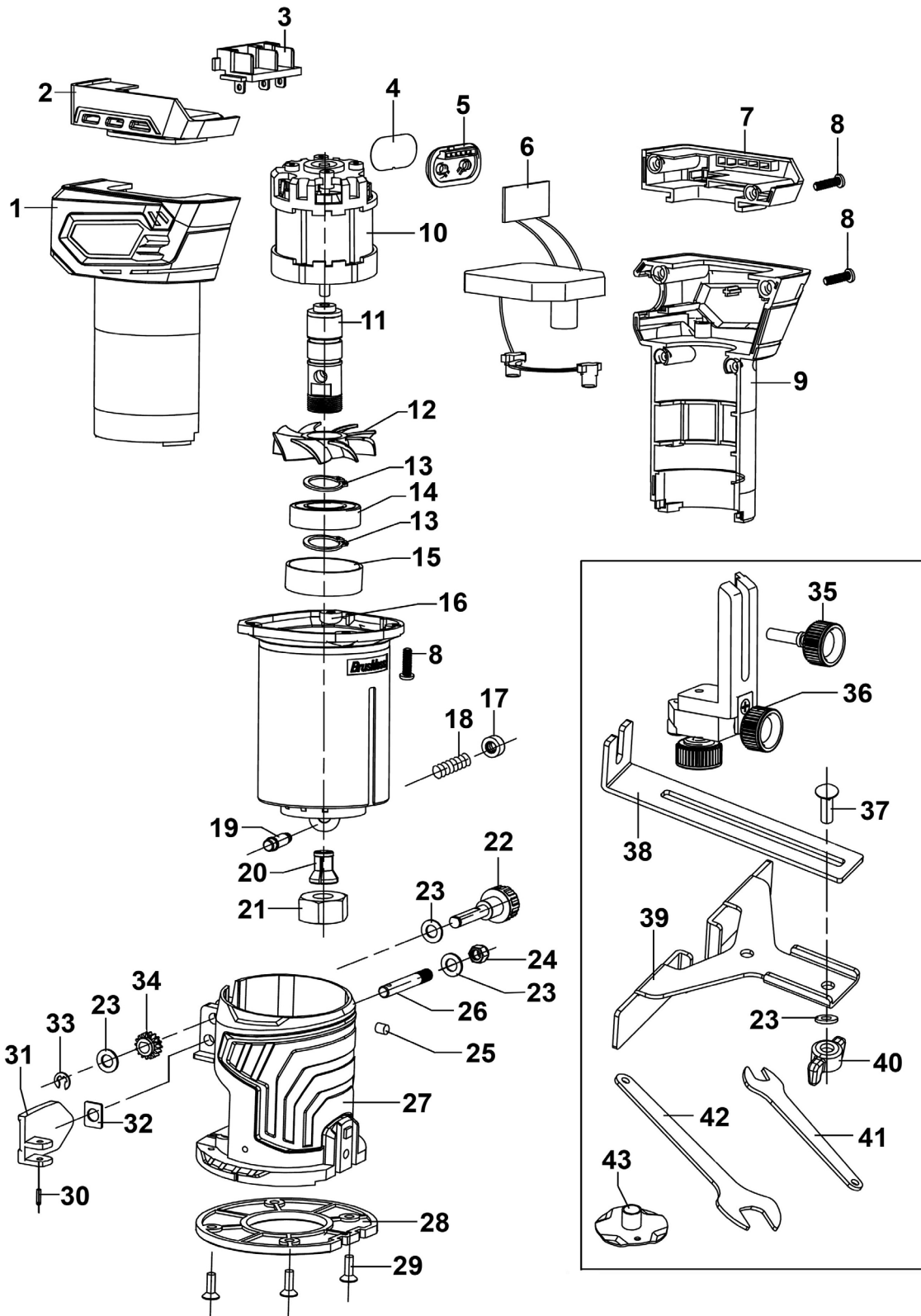




Parts Information:
Cordless Trimming Router 20V SV20 Series
- Body Only
Model No: CP20VTR



NOTE: It is our policy to continually improve products and as such we reserve the right to alter data, specifications and component parts without prior notice. There may be alternative versions of this product, please contact us should you require this information.

IMPORTANT: No liability is accepted for incorrect use of product. Spare parts must be fitted by a competent person

WARRANTY: Guarantee is 12 months from purchase date, proof of which will be required for any claim.

Sealey Group, Kempson Way, Suffolk Business Park, Bury St Edmunds, Suffolk. IP32 7AR



01284 757500



sales@sealey.co.uk



www.sealey.co.uk



Parts Information:
**Cordless Trimming Router 20V SV20 Series
- Body Only
Model No: CP20VTR**

Item	Part No.	Description	Qty
1	CP20VTR-01	Housing, Left Side	1
2	CP20VTR-02	Battery Connection Foot (Left Side)	1
3	CP20VTR-03	Battery Connection	1
4	CP20VTR-04	Switch Label	1
5	CP20VTR-05	Switch Button	1
6	CP20VTR-06	PCB	1
7	CP20VTR-07	Battery Connection Foot (Right Side)	1
8	MSP412.S	Machine Screw Pan Head Phillips M4 x 12mm	8
9	CP20VTR-09	Housing, Right Side	1
10	CP20VTR-10	Motor	1
11	CP20VTR-11	Output Shaft	1
12	CP20VTR-12	Fan Blade	1
13	CP20VTR-13	External Circlip Ø17mm	2
14	CP20VTR-14	Ball Bearing (Deep Groove)	1
15	CP20VTR-15	Bearing Sleeve	1
16	CP20VTR-16	Aluminium Body	1
17	CP20VTR-17	Self-Lock Nut	1
18	CP20VTR-18	Self-Lock Spring	1
19	CP20VTR-19	Self-Lock Pin	1
20	CP20VTR-20	Collet Chuck	1
21	CP20VTR-21	Collet Nut	1
22	CP20VTR-22	Adjustment Knob	1

Item	Part No.	Description	Qty
23	FWM6.S	Flat Washer M6	4
24	NLN6.S	Nyloc Nut M6	1
25	CP20VTR-25	Locking Screw	1
26	CP20VTR-26	Cylindrical Pin Ø4 x 4mm	1
27	CP20VTR-27	Base	1
28	CP20VTR-28	Base Plate	1
29	MSC412.S	Csk Phillips Machine Screw M4 x 12mm	4
30	CP20VTR-30	Spring Pin Ø3 x 14mm	1
31	CP20VTR-31	Locking Trigger	1
32	CP20VTR-32	Washer (Square)	1
33	CP20VTR-33	E-Ring	1
34	CP20VTR-34	Gear	1
35	CP20VTR-35	Knob, Plastic	1
36	CP20VTR-36	Set of Trim Guide	1
37	MSP618.S	Machine Screw Pan Head Phillips M6 x 18mm	1
38	CP20VTR-38	Positioning Plate	1
39	CP20VTR-39	Positioning Board	1
40	SN6.SW	Wing Nut M6	1
41	RPB01-75	Wrench 23mm	1
42	RPB01-76	Wrench 16mm	1
43	CP20VTR-43	Template Guide Plate Ø10mm	1

NOTE: It is our policy to continually improve products and as such we reserve the right to alter data, specifications and component parts without prior notice. There may be alternative versions of this product, please contact us should you require this information.

IMPORTANT: No liability is accepted for incorrect use of product. Spare parts must be fitted by a competent person

WARRANTY: Guarantee is 12 months from purchase date, proof of which will be required for any claim.

Sealey Group, Kempson Way, Suffolk Business Park, Bury St Edmunds, Suffolk. IP32 7AR



01284 757500



sales@sealey.co.uk



www.sealey.co.uk