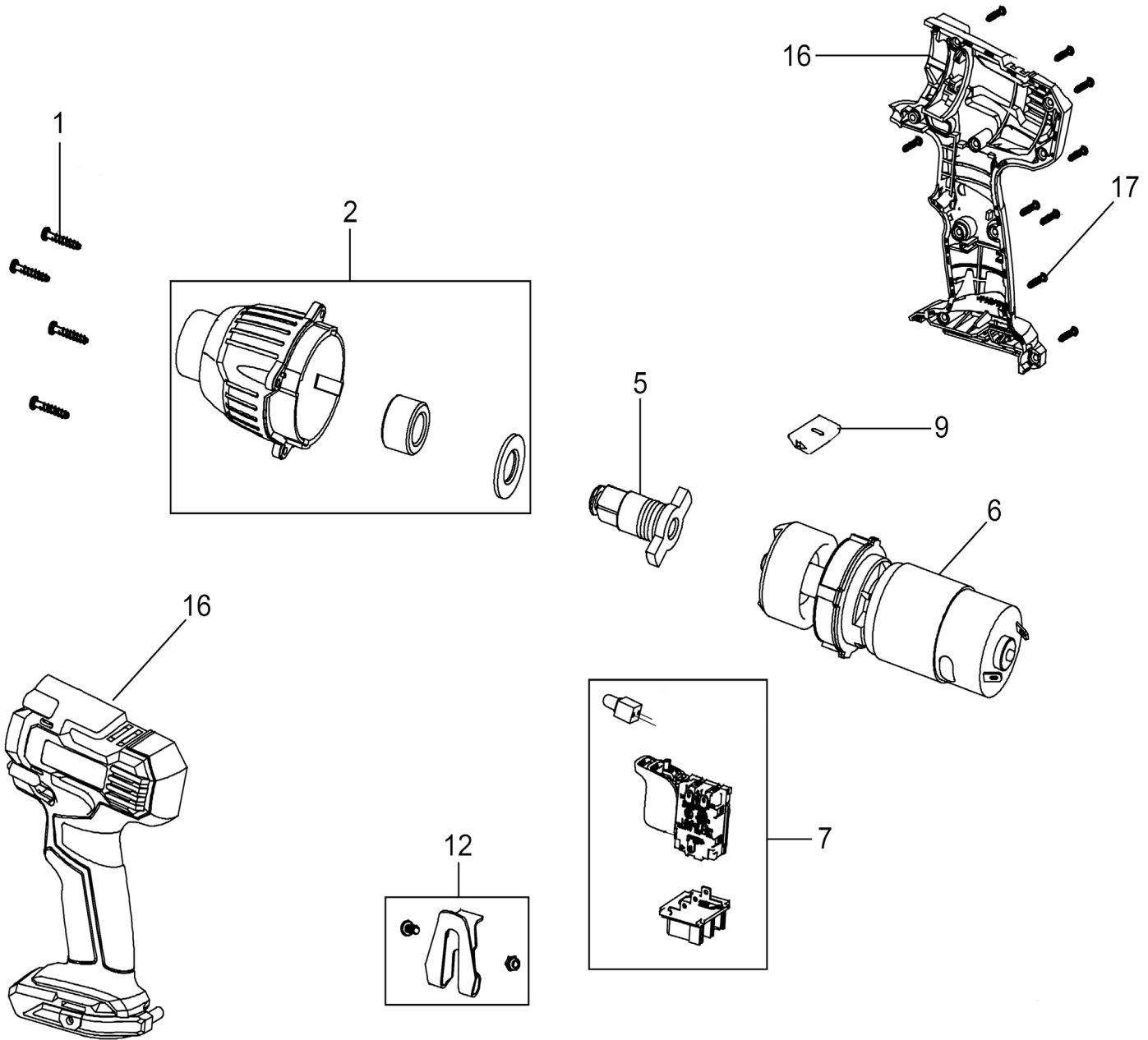




Parts Information:  
**Impact Wrench 20V SV20 Series 1/2" Sq  
 Drive - Body Only  
 Model No: CP20VIW**



Item	Part No.	Description
1	CP20VIW.01	Front Casing Screw
2	CP20VIW.02	Front Casing (c/w Bush and O-ring)
5	CP20VIW.05	Output Shaft
6	CP20VIW.06	Gearbox Ass'y
7	CP20VIW.07	Switch Assembly, Press Button 20A 7.2-24V DC (c/w Battery Contact Plate, LED & Cover)

Item	Part No.	Description
9	CP20VIW.09	Reversing Bar
12	CP20VIW.12	Belt Hook Assembly
16	CP20VIW.16	Casing Complete
17	CP20VIW.17	Casing Screw

**NOTE:** It is our policy to continually improve products and as such we reserve the right to alter data, specifications and component parts without prior notice. There may be alternative versions of this product, please contact us should you require this information.

**IMPORTANT:** No liability is accepted for incorrect use of product. Spare parts must be fitted by a competent person

**WARRANTY:** Guarantee is 12 months from purchase date, proof of which will be required for any claim.

Sealey Group, Kempson Way, Suffolk Business Park, Bury St Edmunds, Suffolk. IP32 7AR



01284 757500



sales@sealey.co.uk



www.sealey.co.uk