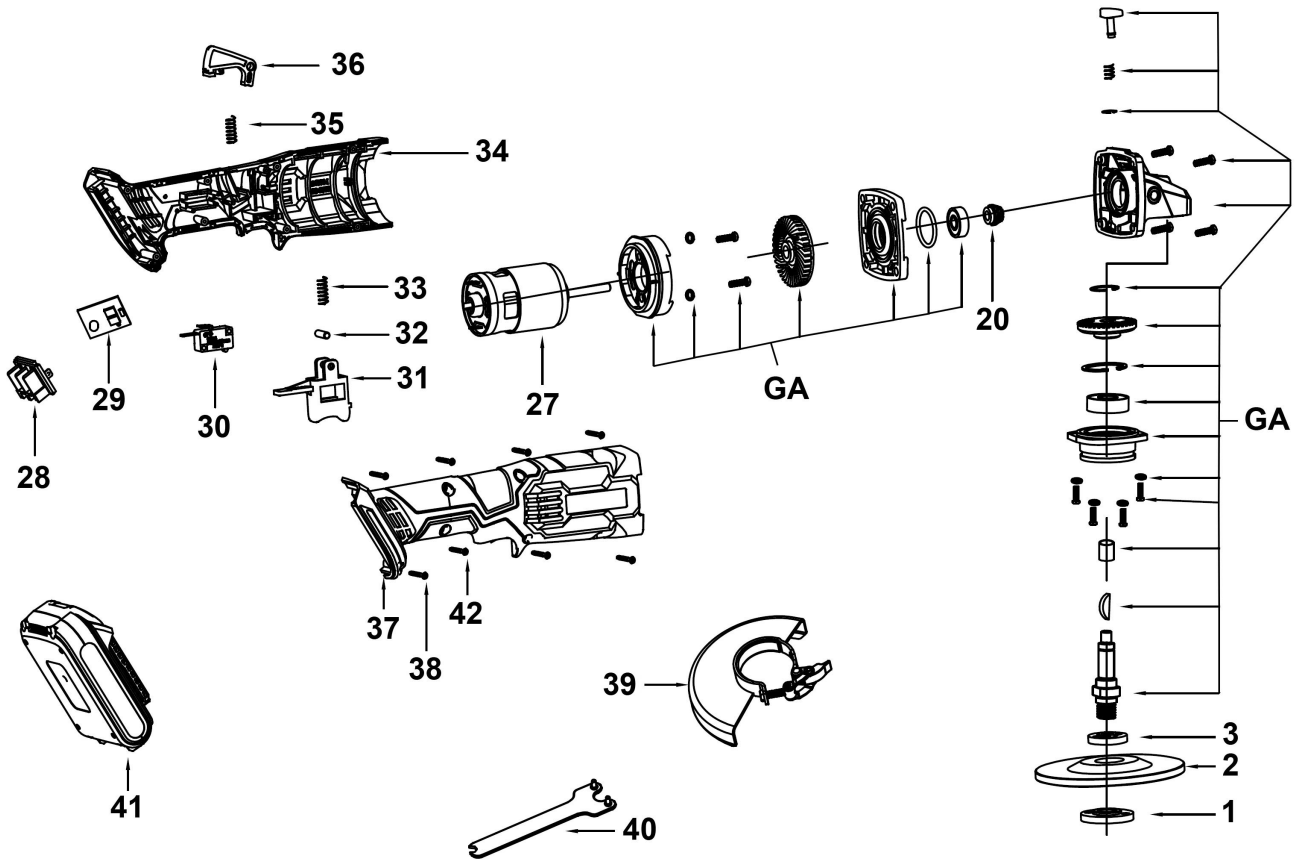




Parts Information:
**Cordless Angle Grinder Ø115mm 20V
 Lithium-ion 1hr Charge
 Model No: CP20VAG.V2**



Item	Part No.	Description
1	CP20VAG.01	Flange (Outer)
2	PTC/115G	Grinding Disc Ø115 x 6mm Ø22mm Bore (not supplied)
3	CP20VAG.03	Flange (Inner)
20	CP20VAG.20	Motor Gear (Small)
27	CP20VAG.V2-27	Motor (Internal 18V)
28	CP20VAG.V2-28	Battery Connector Clip
29	CP20VAG.V2-29	PCB
30	CP20VAG.30	Microswitch - 16A/250V - Mx12 1216B
31	CP20VAG.31	Button For Switch (Red)
32	CP20VAG.32	Pin
33	CP20VAG.33	Spring For Switch (Diameter - 7.1mm)

Item	Part No.	Description
34	CP20VAG.34	Side Casing, Left
35	CP20VAG.35	Spring
36	CP20VAG.V2-36	Lock Button
37	CP20VAG.V2-37	Side Casing, Right
38	CP20VAG.V2-38	Tapping Screw
39	CP20VAG.V2-39	Guard
40	CP20VAG.40	Wrench
GA	CP20VAG.G	Gearbox
41	CP20VBP	Power Tool Battery 20V 3Ah Lithium-Ion For CP20V Series
--	CP20VAG.C	Charger

NOTE: It is our policy to continually improve products and as such we reserve the right to alter data, specifications and component parts without prior notice. There may be alternative versions of this product, please contact us should you require this information.

IMPORTANT: No liability is accepted for incorrect use of product. Spare parts must be fitted by a competent person

WARRANTY: Guarantee is 12 months from purchase date, proof of which will be required for any claim.

Sealey Group, Kempson Way, Suffolk Business Park, Bury St Edmunds, Suffolk. IP32 7AR



01284 757500



01284 703534



sales@sealey.co.uk



www.sealey.co.uk