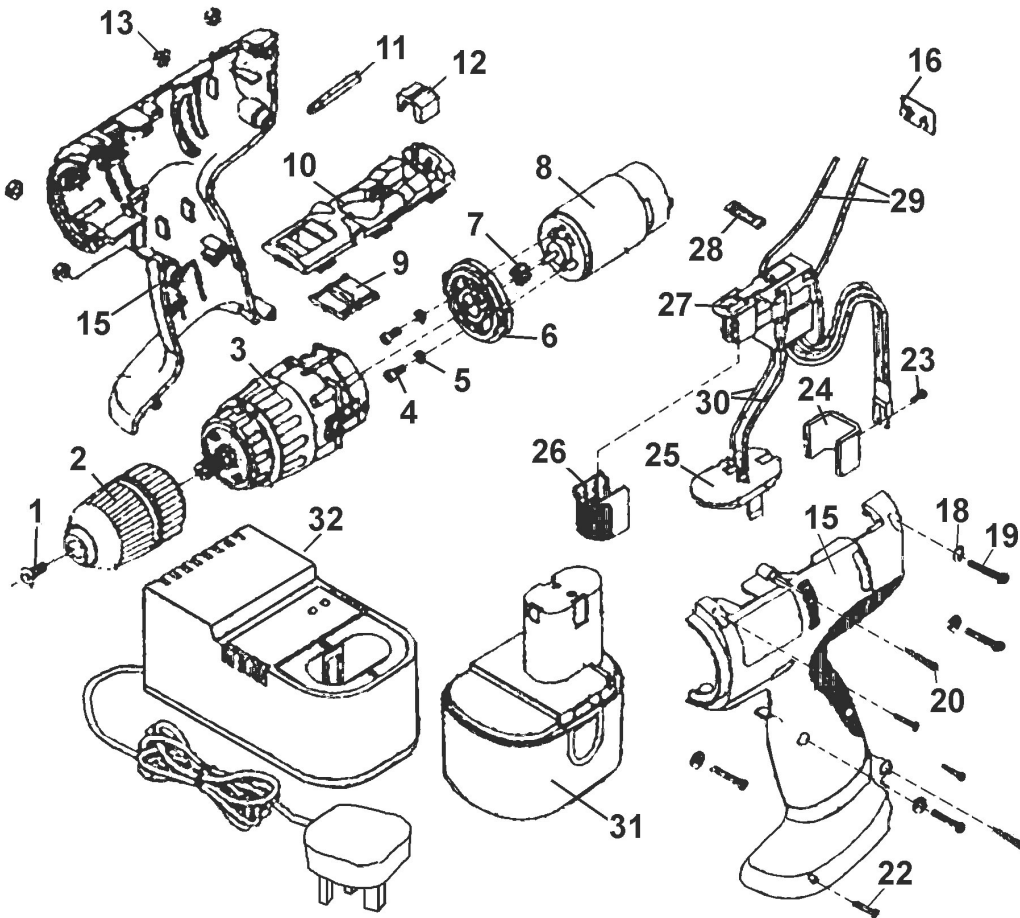




Parts Information:  
**Cordless Hammer Drill/Driver 18V Extra Super Torque 1hr Charge**  
**Model No: CP2018VHK.V2**



Item	Part No.	Description
1	CP2018VHK/01	CHUCK SCREW M6x25mm (LH THREAD)
1	CP2018VHK/01A	CHUCK SCREW FOR USE WITH 22 STEP GEARBOX
2	GSA27.37	KEYLESS CHUCK 1.5-13mm 3/8-24UNF
2	CP2018VHK/02B	KEYLESS CHUCK 2-13mm 1/2x20 LOCKABLE
3	CP2018VHK/03	12 TORQUE STEP GEARBOX
3	CP2018VHK/03A	22 TORQUE STEP GEARBOX
4	CP2018VHK/04	MOTOR SCREW
5	CP9918VHK/05	SPRING WASHER
6	CP2018VHK/06	MOTOR BRACKET
7	CP2018VHK/07	MOTOR GEAR
8	CP2018VHK/08	MOTOR
9	CP2018VHK/09	GEAR SELECTOR
10	CP2018VHK/10	TOP COVER
11	CP2018VHK/11	SLOTTED BIT
12	CP2018VHK/12	COVER
13	SN4.SB	STEEL NUT M4 BLACK (SINGLE)
--	CP2018VHK/14	DRILL BODY REAR LABEL (NOT SHOWN)
15	CP2018VHK/15	CASE COMPLETE (12 TORQUE HOUSING)

Item	Part No.	Description
15	CP2018VHK/15A	CASE COMPLETE (22 TORQUE HOUSING)
16	CP2018VHK/16	SWITCH SPACE COVER
18	CP2018VHK/18	SPRING WASHER
19	CP2018VHK/19	BODY SCREW
20	CP2018VHK/20	RD HEAD S/T SCREW M3X20 BLACK
--	CP2018VHK/21	DRILL BODY FRONT LABEL (NOT SHOWN)
22	CP2018VHK/22	RD HEAD S/T SCREW M2.9 X 12 BLACK
23	CP2018VHK/23	HEAT SINK SCREW
24	CP2018VHK/24	HEAT SINK
25	CP2018VHK/25	TERMINAL BRACKET
--	CP2018VHK/25A	TERMINAL BRACKET (NOT SHOWN)
26	CP2018VHK/26	SWITCH BUTTON
27	CP9918VHK/27	SPEED CONTROL SWITCH (NEW TYPE)
28	CP2018VHK/28	REVERSING SWITCH
29	CP2018VHK/29	MOTOR WIRE
30	CP2018VHK/30	TERMINAL WIRE
31	CB18/99	CORDLESS BATT. PACK 18V
32	CP9918VHK/32	CHARGER 1 HOUR C/W PLUG

**NOTE:** It is our policy to continually improve products and as such we reserve the right to alter data, specifications and component parts without prior notice.

**IMPORTANT:** No liability is accepted for incorrect use of product.

**WARRANTY:** Guarantee is 12 months from purchase date, proof of which will be required for any claim.

Sealey Group, Kempson Way, Suffolk Business Park, Bury St Edmunds, Suffolk. IP32 7AR



01284 757500



01284 703534



sales@sealey.co.uk



www.sealey.co.uk