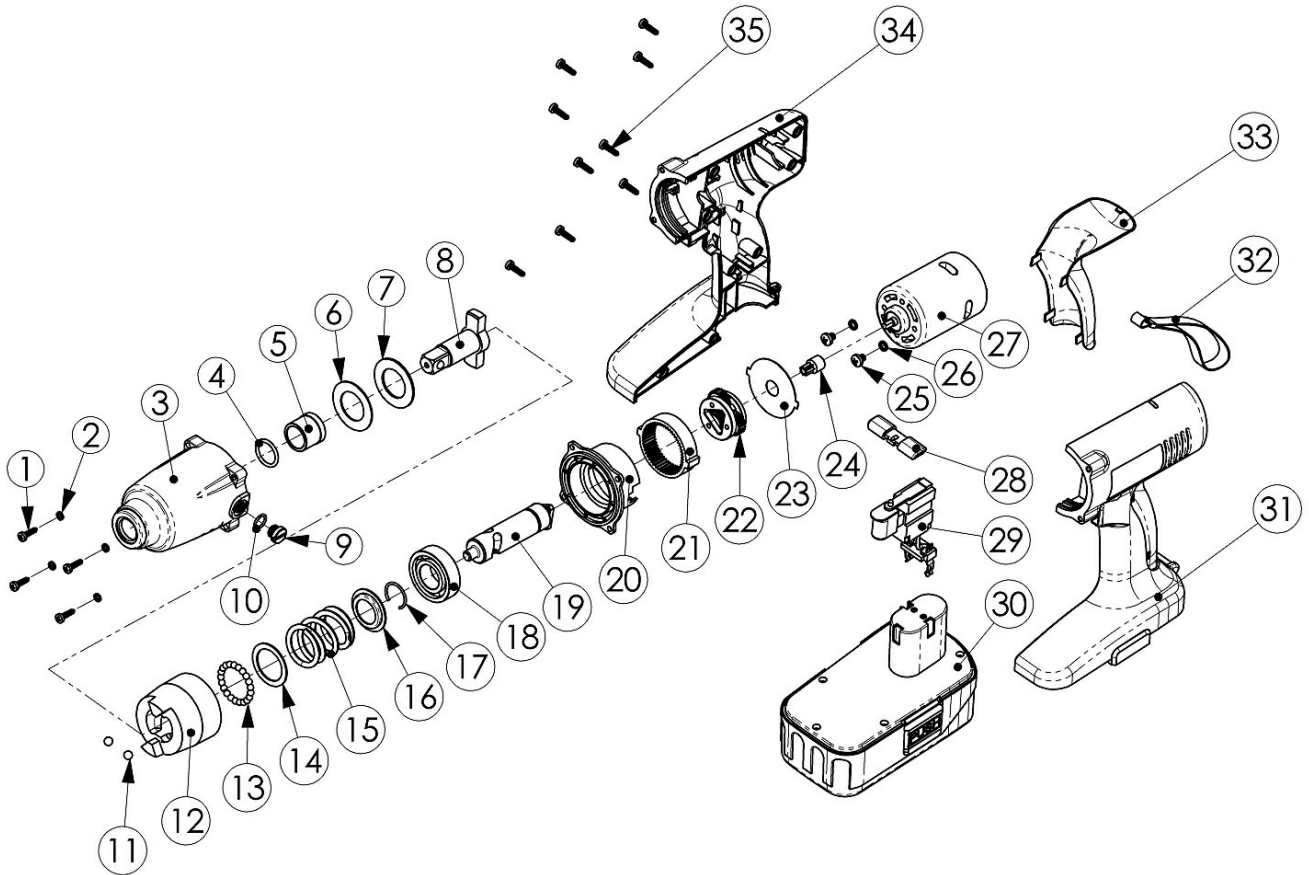




Parts Information:  
**Cordless Impact Wrench 19.2V 1/2" Sq Drive  
 200lb.ft  
 Model No: CP1920**



Item	Part No.	Description
1	CP2400.V2-01	RD Head S/T Screw m4x24
2	SWM4.SB	Spring Washer M4 Black (Single)
3	CP2400.V2-03	Front Casing With Bush And O-Ring
4	CP2400.V2-04	O-Ring 18 x 2.5
--	CP1920.04-1	Thermal Cut-Out (NOT SHOWN)
5	CP2400.V2-03	Front Casing With Bush And O-Ring
6	CP2400.V2-06	Washer Rubber m24x40
7	CP2400.V2-07	Shim
8	CP1920.08	Front Impact Assy
9	CP1920.09	Screw Complete With O-Ring (Part 10)
10	CP2400.V2-10	O-Ring
11	SB-6.4	Steel Ball 6.4mm
12	CP1920.12	Rear Impact Block
13	SB-4.7	Steel Ball 4.7mm
14	CP2400.V2-14	Gasket
15	CP2400.V2-15	Spring
16	CP2400.V2-16	Gasket
17	CP2400.V2-17	Baffle Clip
18	B/6004ZZ	Bearing 6004ZZ

Item	Part No.	Description
19	CP1920.19	Shaft
20	CP1920.20	Gearbox
21	CP1920.21	Gear Ring
22	CP1920.22	Planetary Gears
23	CP2400.V2-23	Spacer
24	CP1920.27A	Complete Motor Assembly (Inc 24, 25, 26 & 27)
25	CP2400.V2-25	Phillips Head Machine Screw m5 x 6
26	SWM5.SB	Spring Washer M5 Black (Single)
27	CP1920.27	Motor Assembly
28	CP1920.28	Forward/Reverse Rod
29	CP2400.V2-29	Switch
30	CP1920BP	Battery Pck For Cordless Impact Wrench 19.2v-1.7ah
31	CP1920.31	Main Casing (Left Hand Side)
32	CP2400.V2-32	Hand Strap
33	CP1920.33	Soft Grip
34	CP1920.34	Main Casing (Right Hand Side)
35	CP2400.V2-35	RD Head S/T Screw m3.8 x 15 Black
--	CP1920.36	Battery Charger (NOT SHOWN)
--	CP2400.V2-37	Blow Moulded Case (NOT SHOWN)

**NOTE:** It is our policy to continually improve products and as such we reserve the right to alter data, specifications and component parts without prior notice.

**IMPORTANT:** No liability is accepted for incorrect use of product.

**WARRANTY:** Guarantee is 12 months from purchase date, proof of which will be required for any claim.

**Sealey Group**, Kempson Way, Suffolk Business Park, Bury St Edmunds, Suffolk. IP32 7AR



01284 757500



01284 703534



sales@sealey.co.uk



www.sealey.co.uk