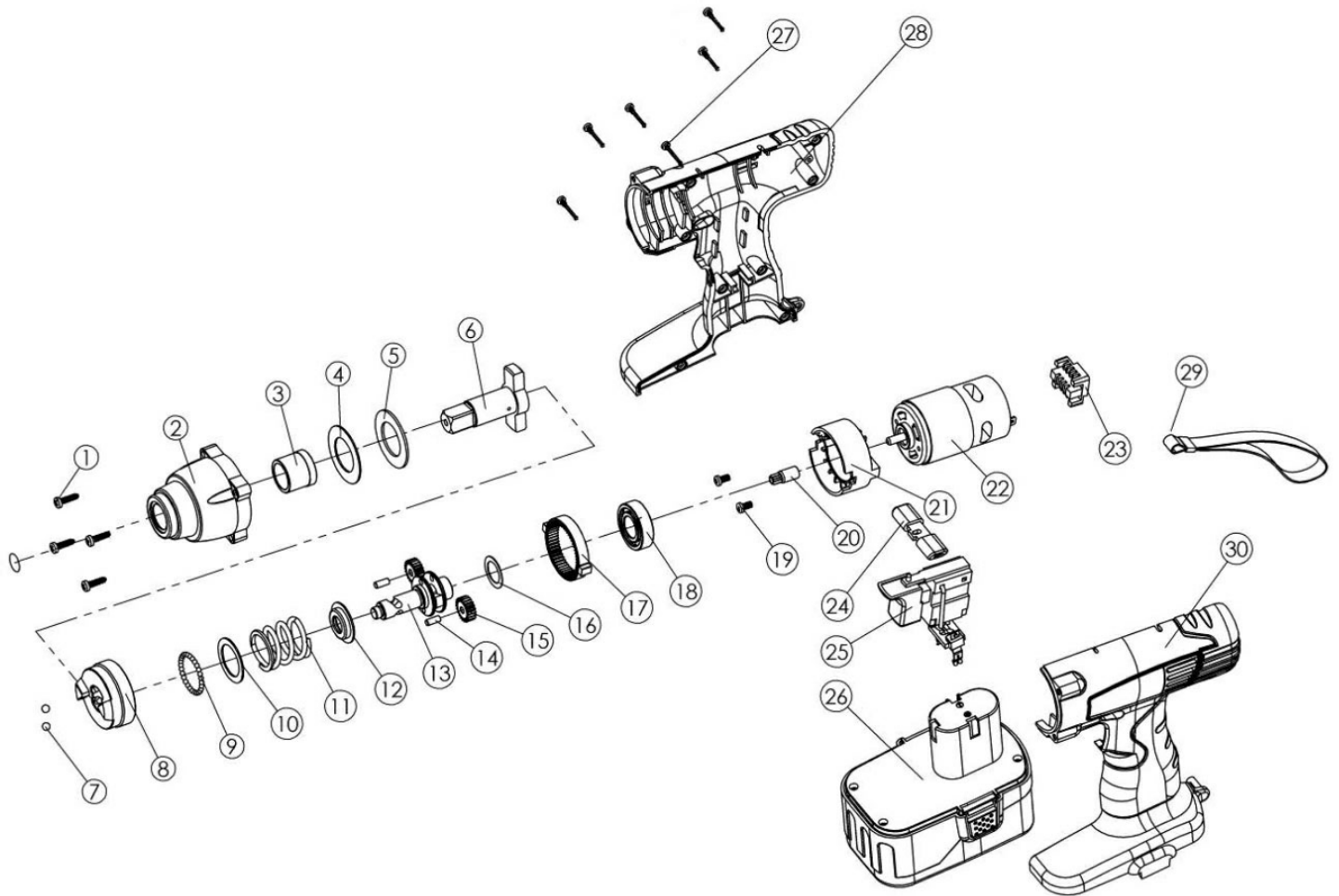




Parts Information:  
**Cordless Impact Wrench 14.4V 3/8" Sq  
 Drive 150lb.ft  
 Model No: CP1440**



Item	Part No.	Description
--	CP1440-00	Ring (NOT SHOWN)
1	CP1440.01	Self Tapping Screw
2, 3	CP1440.02	Front Casing + Front Bearing
4	CP1440.04	Rubber Gasket
5	CP1440.05	Shim
6	CP1440.06	Front Impact Assembly 3/8" Drive
7	SB-5.6	Steel Ball 5.6mm
8	CP1440.08	Rear Impact Block
9	SB-3.0	Steel Ball 3.0mm
10	CP1440.10	Gasket
11	CP1440.11	Spring
12	CP1440.12	Ring
13	CP1440.13	Shaft
14	CP1440.14	Pitman Bearing
15	CP1440.15	Planetary Gear
16	CP1440.16	Ring

Item	Part No.	Description
17	CP1440.17	Planetary Bracket
18	B/6002ZZ	Bearing 6002ZZ
19	MSP48.SB	Machine Screw Pan Head Phillips m4x8mm Black
20	CP1440.20	Motor Gear
21	CP1440.21	Motor Flange
22	CP1440.22	Motor Assy
23	CP1440.23	Heat Panel
24	CP2400.V2-28	Forward/Reverse Rod
25	CP1440.25	Switch
26	CP1440BP	Cordless Power Tool Battery 14.4V
27	CP1440.27	RD Head S/T Screw m3x15 Black
28	CP1440.28	Casing, Right
29	CP1440.29	Hand Strap
30	CP1440.30	Casing, Left
--	CP1440.31	Battery Charger (NOT SHOWN)

**NOTE:** It is our policy to continually improve products and as such we reserve the right to alter data, specifications and component parts without prior notice.

**IMPORTANT:** No liability is accepted for incorrect use of product.

**WARRANTY:** Guarantee is 12 months from purchase date, proof of which will be required for any claim.

**Sealey Group**, Kempson Way, Suffolk Business Park, Bury St Edmunds, Suffolk. IP32 7AR



01284 757500



01284 703534



sales@sealey.co.uk



www.sealey.co.uk