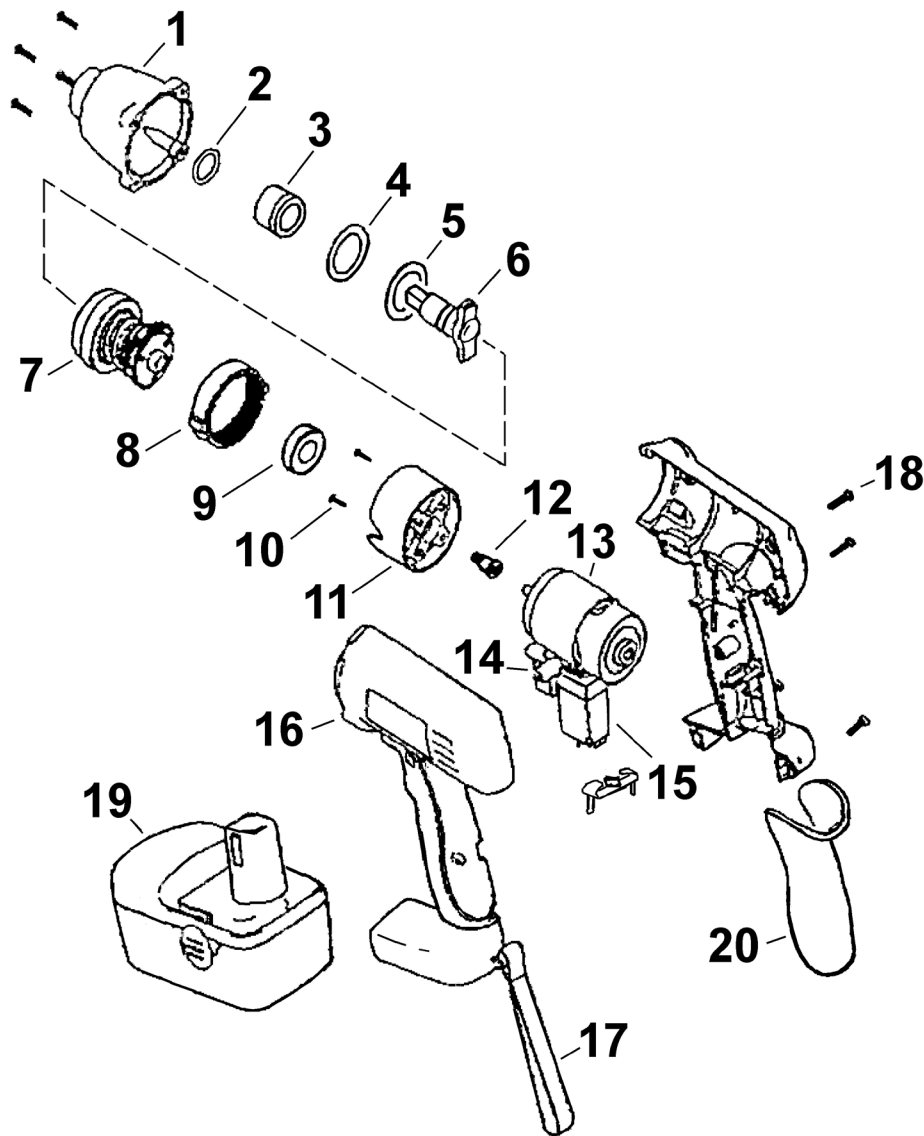




Parts Information:
**Cordless Impact Wrench 12V 3/8" Sq Drive
 98lb.ft
 Model No: CP1211**



Item	Part No.	Description
1	CP1211.V2-01	Front Cover Ass'y
2	CP1211/02	O-Ring
3	CP1211.V2-01	Front Cover Ass'y
4	CP1211/04	Rubber Washer
5	CP1211/05	Washer
6	CP1211.V2-04	Front Impact Ass'y
7	CP1211.V2-05	Rear Impact Ass'y
8	CP3001.V2-07	Gear Ring
9	B/609-2RS	Bearing 609-2RS
10	CP1211/10	Screw
11	CP1211/11	Gear Ring Holder

Item	Part No.	Description
12	CP1211/12	Pinion
13	CP1211.V3-11	Motor Ass'y
14	CP3001.V2-11	Forward Reverse Rod
15	CP1211.V2-14	Switch
16	CP1211.V2-16	Main Housing L&R
17	CP3001.V2-16	Belt 190x11x1.5
18	CP1211/18	Housing Screws 3.5 x 15mm
19	CP1211BP	Cordless Battery Pack 12V
20	CP3001.V2-15	Soft Grip
--	CP1211/A	Adaptor 3/8"-1/2" (NOT SHOWN)
--	CP1211.V2-24	Charger (NOT SHOWN)

NOTE: It is our policy to continually improve products and as such we reserve the right to alter data, specifications and component parts without prior notice.

IMPORTANT: No liability is accepted for incorrect use of product.

WARRANTY: Guarantee is 12 months from purchase date, proof of which will be required for any claim.

Sealey Group, Kempson Way, Suffolk Business Park, Bury St Edmunds, Suffolk. IP32 7AR



01284 757500



01284 703534



sales@sealey.co.uk



www.sealey.co.uk