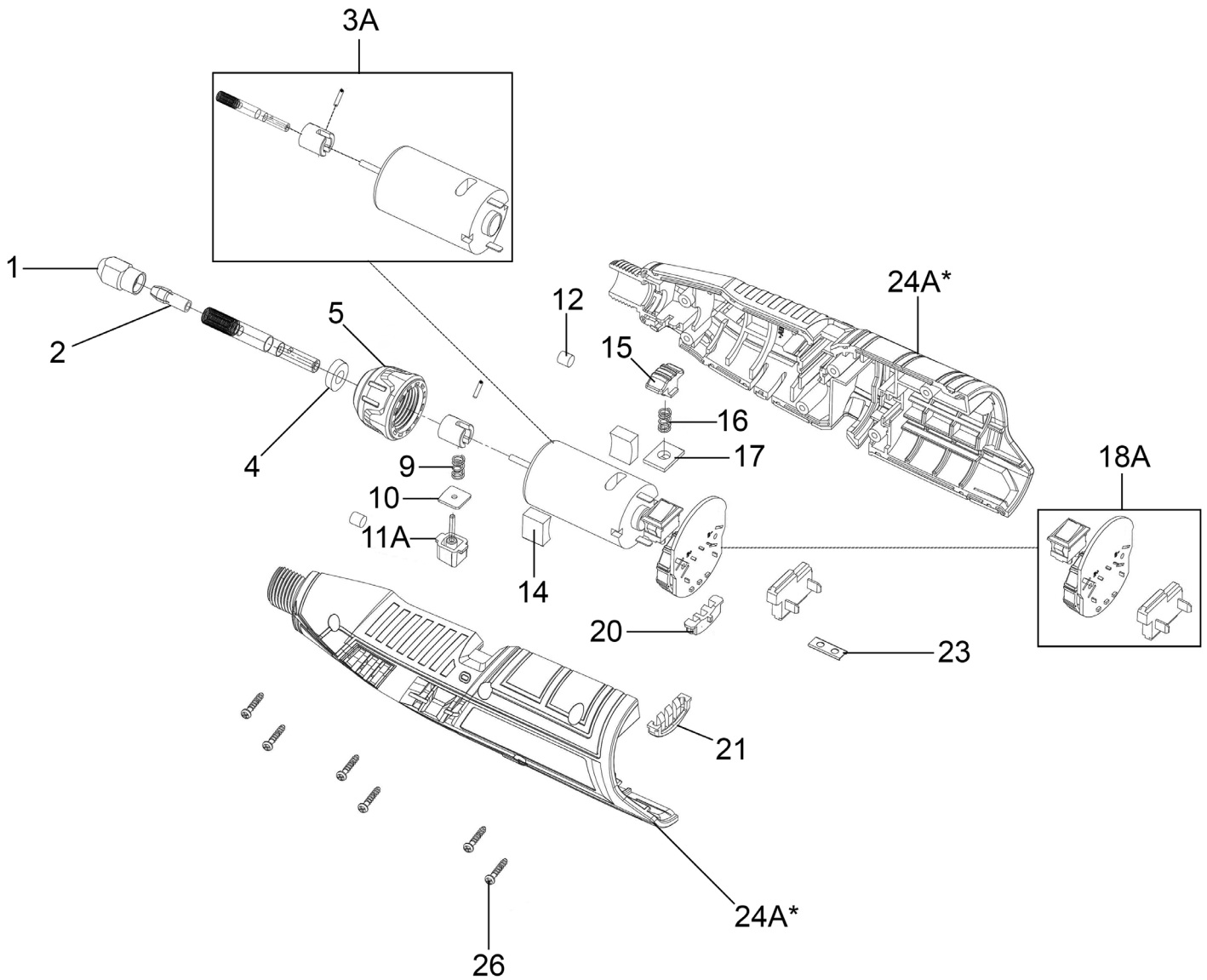




Parts Information:
Cordless Multipurpose Rotary Tool & Engraver 12V Li-ion - Body Only
Model No: CP1207



Item	Part No.	Description
1	CP1207.01	Collet Nut
2	CP1207.02	Collet
3A	CP1207.03A	Collet Clamping Sleeve Assembly (c/w Parts 3, 6, 7 & 13)
4	B/696ZZ	Bearing 696zz
5	CP1207.05	Front Cover (Plastic)
9	CP1207.09	Compressed Spring
10	CP1207.10	Lock Button Plate
11A	CP1207.11A	Lock Button Assembly (c/w Part 8)
12	CP1207.12	Shock Absorber
14	CP1207.14	Motor Protection

Item	Part No.	Description
15	CP1207.15	Speed Selector Button
16	CP1207.16	Speed Selector Button Spring
17	CP1207.17	Speed Selector Button Plate
18A	CP1207.18A	Speed Switch Assembly (c/w Parts 18, 19 & 22)
20	CP1207.20	Power Display Support
21	CP1207.21	Power Display Cover
23	CP1207.23	Connection Plate
24A*	CP1207.24A	Casing Complete
26	CP1207.26	Tapping Screw
--	CP1207.ACC	Accessories Kit (Not Shown)

NOTE: It is our policy to continually improve products and as such we reserve the right to alter data, specifications and component parts without prior notice. There may be alternative versions of this product, please contact us should you require this information.

IMPORTANT: No liability is accepted for incorrect use of product. Spare parts must be fitted by a competent person

WARRANTY: Guarantee is 12 months from purchase date, proof of which will be required for any claim.

Sealey Group, Kempson Way, Suffolk Business Park, Bury St Edmunds, Suffolk. IP32 7AR



01284 757500



sales@sealey.co.uk



www.sealey.co.uk