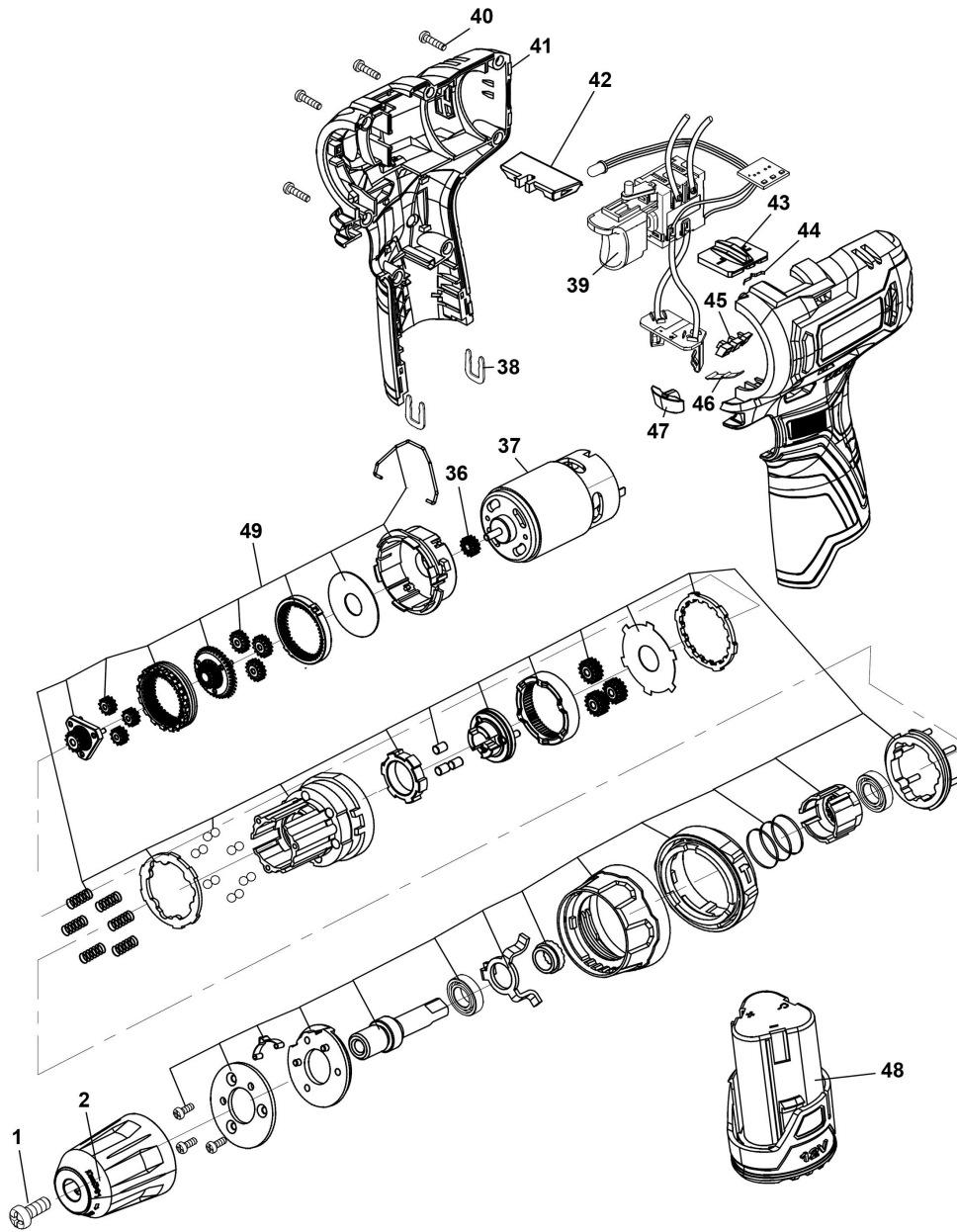




Parts Information:
Cordless Hammer Drill/Driver Ø10mm
10.8V 2Ah
Model No: CP108VDD



Item	Part No.	Description
1	CP108VDD.01	Chuck Screw M6x18
2	CP108VDD.02	Keyless Chuck
36	CP108VDD.36	Motor Gear
37	CP108VDD.37	Motor
38	CP108VDD.38	Buckle
39	CP108VDD.39	Switch
40	CP108VDD.40	Self-Tapping Screw ST2.9x16
41	CP108VDD.41	Housing Complete
42	CP108VDD.42	Forward/Reverse Lever

Item	Part No.	Description
43	CP108VDD.43	Push Button
44	CP108VDD.44	Clip
45	CP108VDD.45	Battery Indicator Cover
46	CP108VDD.46	Clip
47	CP108VDD.47	LED Cover
48	CP108VBP	Power Tool Battery 10.8V 2Ah CP108V Series
49	CP108VDD.GBA	Gearbox Assembly
--	CP108VMC	Main Charger (Not Shown)

NOTE: It is our policy to continually improve products and as such we reserve the right to alter data, specifications and component parts without prior notice. There may be alternative versions of this product, please contact us should you require this information.

IMPORTANT: No liability is accepted for incorrect use of product. Spare parts must be fitted by a competent person

WARRANTY: Guarantee is 12 months from purchase date, proof of which will be required for any claim.

Sealey Group, Kempson Way, Suffolk Business Park, Bury St Edmunds, Suffolk. IP32 7AR



01284 757500



01284 703534



sales@sealey.co.uk



www.sealey.co.uk