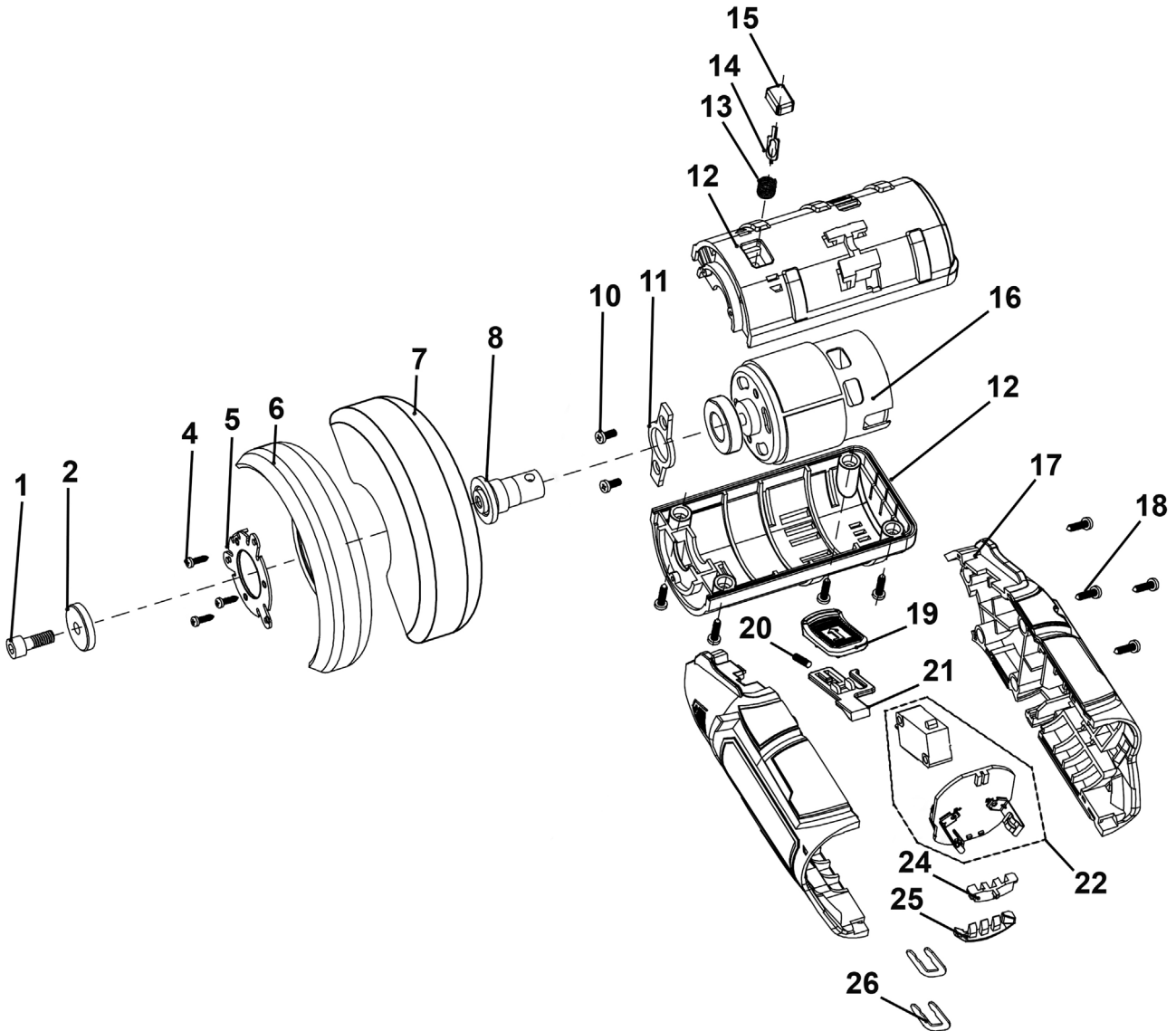




Parts Information:
Angle Grinder Ø85mm 10.8V SV10.8 Series
- Body Only
Model No: CP108VAGBO



Item	Part No.	Description
1	CP108VAGBO.01	Socket Cap Bolt
2	CP108VAGBO.02	Flange Nut
4	CP108VAGBO.04	Screw for Press Plate
5	CP108VAGBO.05	Press Plate
6	CP108VAGBO.06	Wheel Guard
7	CP108VAGBO.07	Plastic Protection Cover
8	CP108VAGBO.08	Output Shaft
10	CP108VAGBO.10	Screw for Support Plate
11	CP108VAGBO.11	Support Plate
12	CP108VAGBO.12	Motor Housing Complete
13	CP108VAGBO.13	Lock Stop Spring
14	CP108VAGBO.14	Lock Stop Spacer

Item	Part No.	Description
15	CP108VAGBO.15	Lock Stop Button
16	CP108VAGBO.16	Motor (c/w Bearing)
17	CP108VAGBO.17	Side Handle Complete
18	CP108VAGBO.18	Housing Screw
19	CP108VAGBO.19	Switch Button
20	CP108VAGBO.20	Switch Spring
21	CP108VAGBO.21	Push Rod
22	CP108VAGBO.22	Switch (c/w PCB)
24	CP108VAGBO.24	Indicator Support
25	CP108VAGBO.25	Indicator Support Cover
26	CP108VAGBO.26	Terminal Clip

NOTE: It is our policy to continually improve products and as such we reserve the right to alter data, specifications and component parts without prior notice. There may be alternative versions of this product, please contact us should you require this information.

IMPORTANT: No liability is accepted for incorrect use of product. Spare parts must be fitted by a competent person

WARRANTY: Guarantee is 12 months from purchase date, proof of which will be required for any claim.

Sealey Group, Kempson Way, Suffolk Business Park, Bury St Edmunds, Suffolk. IP32 7AR



01284 757500



sales@sealey.co.uk



www.sealey.co.uk