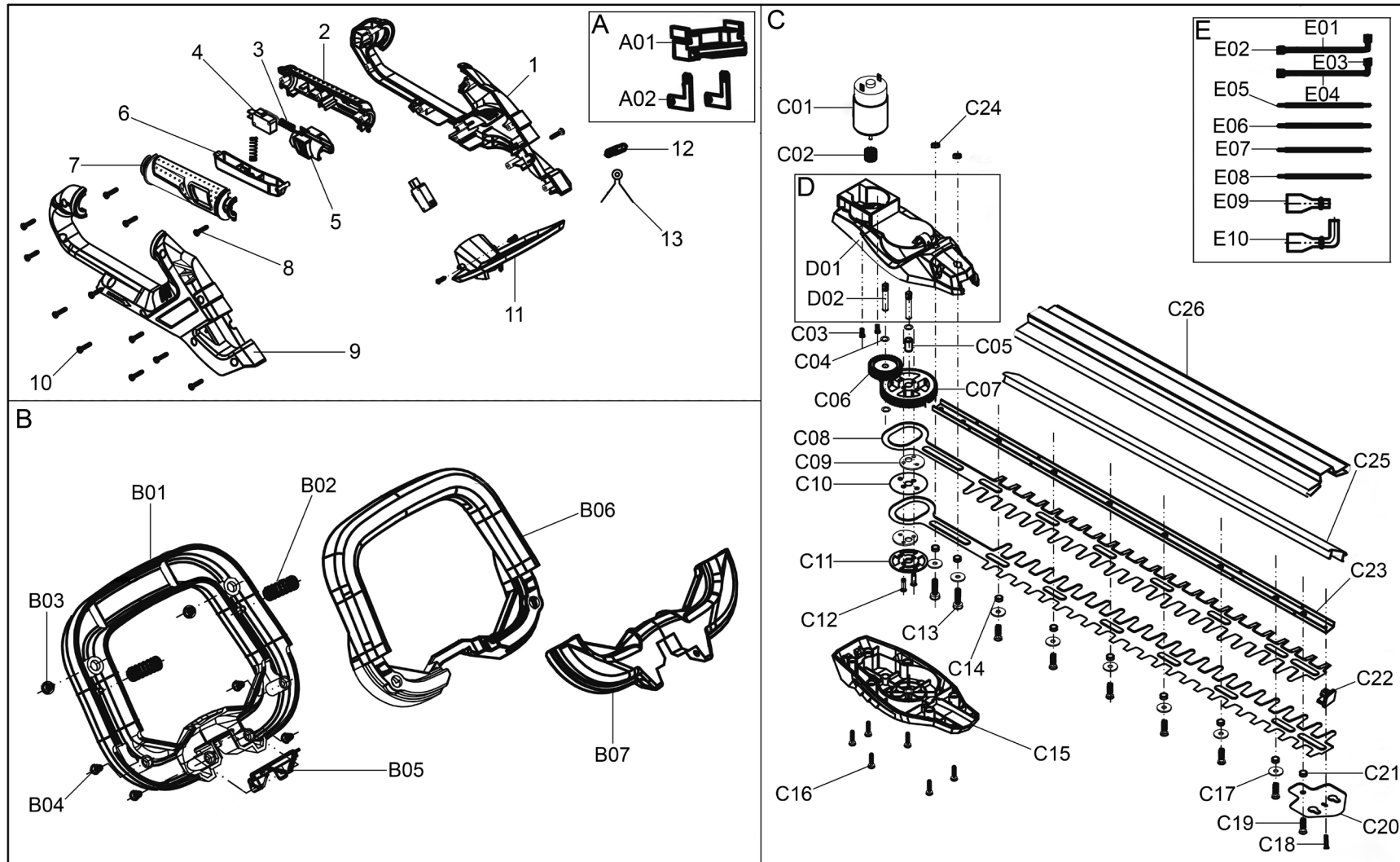




Parts Information:  
52cm Hedge Trimmer Cordless 20V SV20 Series - Body Only  
Model No: CHT20V



**NOTE:** It is our policy to continually improve products and as such we reserve the right to alter data, specifications and component parts without prior notice.

There may be alternative versions of this product, please contact us should you require this information.

**IMPORTANT:** No liability is accepted for incorrect use of product. Spare parts must be fitted by a competent person

**WARRANTY:** Guarantee is 12 months from purchase date, proof of which will be required for any claim.

Sealey Group, Kempson Way, Suffolk Business Park, Bury St Edmunds, Suffolk. IP32 7AR



01284 757500



sales@sealey.co.uk



www.sealey.co.uk



Parts Information:  
**52cm Hedge Trimmer Cordless 20V SV20  
Series - Body Only**  
**Model No: CHT20V**

Item	Part No.	Description
1	CHT20V.01	Main Handle, Left
2	CHT20V.02	Handle Grip, Left
3	CHT20V.03	Spring for Switch
4	CHT20V.04	Switch
5	CHT20V.05	Rotary Lock Knob
6	CS20V.03	Trigger Button, Switch
7	CHT20V.07	Handle Grip, Right
8	CHT20V.08	Cross Self-Tapping Screw 2.9 x 10mm
9	CHT20V.09	Main Handle, Right
10	CHT20V.10	Cross Self-Tapping Screw 3.5 x 13mm
11	CHT20V.11	Protection Cover
12	CHT20V.12	Inductance Component
13	CHT20V.13	Capacitor Assembly
A	CHT20V.A	Hedge Trimmer Insert Seat
A01	CHT20V.A01	Insert Pin
A02	CHT20V.A02	Double Pin
B	CHT20V.B	Auxiliary Handle Assembly
B01	CHT20V.B01	Auxiliary Handle Lower Cover
B02	CHT20V.B02	Lift Spring
B03	CHT20V.B03	Cross Head Screw ST2.9 x 10mm (c/w Washer)
B04	CHT20V.B04	Cross Self-Tapping Screw ST3.5 x 13mm
B05	CHT20V.B05	Press Block
B06	CHT20V.B06	Auxiliary Handle Upper Cover
B07	CHT20V.B07	Auxiliary Handle Cover
C	CHT20V.C	Motor Assembly
C01	CHT20V.C01	Motor
C02	CHT20V.C02	Motor Gear
C03	CHT20V.C03	Cross Screw ST3 x 8mm
C04	CHT20V.C04	Gasket (Ø12 x Ø6.2 x 0.5mm)
C05	CHT20V.C05	Roller Bearing
C06	CHT20V.C06	Gear
C07	CHT20V.C07	Gear (Large)
C08	CHT20V.C08	Blade

Item	Part No.	Description
C09	CHT20V.C09	Eccentric Wheel
C10	CHT20V.C10	Isolation Plate
C11	CHT20V.C11	Base Plate
C12	CHT20V.C12	Pin Shaft
C13	CHT20V.C13	Screw 5 x 20mm
C14	CHT20V.C14	Guide Wheel (B)
C15	CHT20V.C15	Gear Case Lower Cover
C16	CHT20V.C16	Cross Self-Tapping Screw 3.5 x 13mm - F
C17	CHT20V.C17	Gasket 5 x 16mm
C18	CHT20V.C18	Cross Self-Tapping Screw 2.9 x 13mm - F
C19	CHT20V.C19	Cross Self-Tapping Screw 4.8 x 12mm - H
C20	CHT20V.C20	Blade Support
C21	CHT20V.C21	Guide Wheel (A)
C22	CHT20V.C22	Block
C23	CHT20V.C23	Blade Pressing Bar
C24	SN5.S	Steel Nut M5
C25	CHT20V.C25	Aluminium Cover
C26	CHT20V.C26	Blade Cover
D	CHT20V.D	Gear Case Upper Cover Assembly
D01	CHT20V.D01	Gear Case Upper Cover
D01	CHT20V.D02	Gear Shaft
E	CHT20V.E	Internal Conductor
E01	CHT20V.E01	Wire (Brown) 210mm
E02	CHT20V.E02	Terminal
E03	CHT20V.E03	Terminal
E04	CHT20V.E04	Wire (Black) 340mm
E05	CHT20V.E05	Wire (Blue) 160mm
E06	CHT20V.E06	Wire (Blue) 210mm
E07	CHT20V.E07	Wire (Brown) 305mm
E08	CHT20V.E08	Wire (Blue) 305mm
E09	CHT20V.E09	Sheath
E10	CHT20V.E10	Terminal Sheath

**NOTE:** It is our policy to continually improve products and as such we reserve the right to alter data, specifications and component parts without prior notice. There may be alternative versions of this product, please contact us should you require this information.

**IMPORTANT:** No liability is accepted for incorrect use of product. Spare parts must be fitted by a competent person

**WARRANTY:** Guarantee is 12 months from purchase date, proof of which will be required for any claim.

Sealey Group, Kempson Way, Suffolk Business Park, Bury St Edmunds, Suffolk. IP32 7AR



01284 757500



sales@sealey.co.uk



www.sealey.co.uk