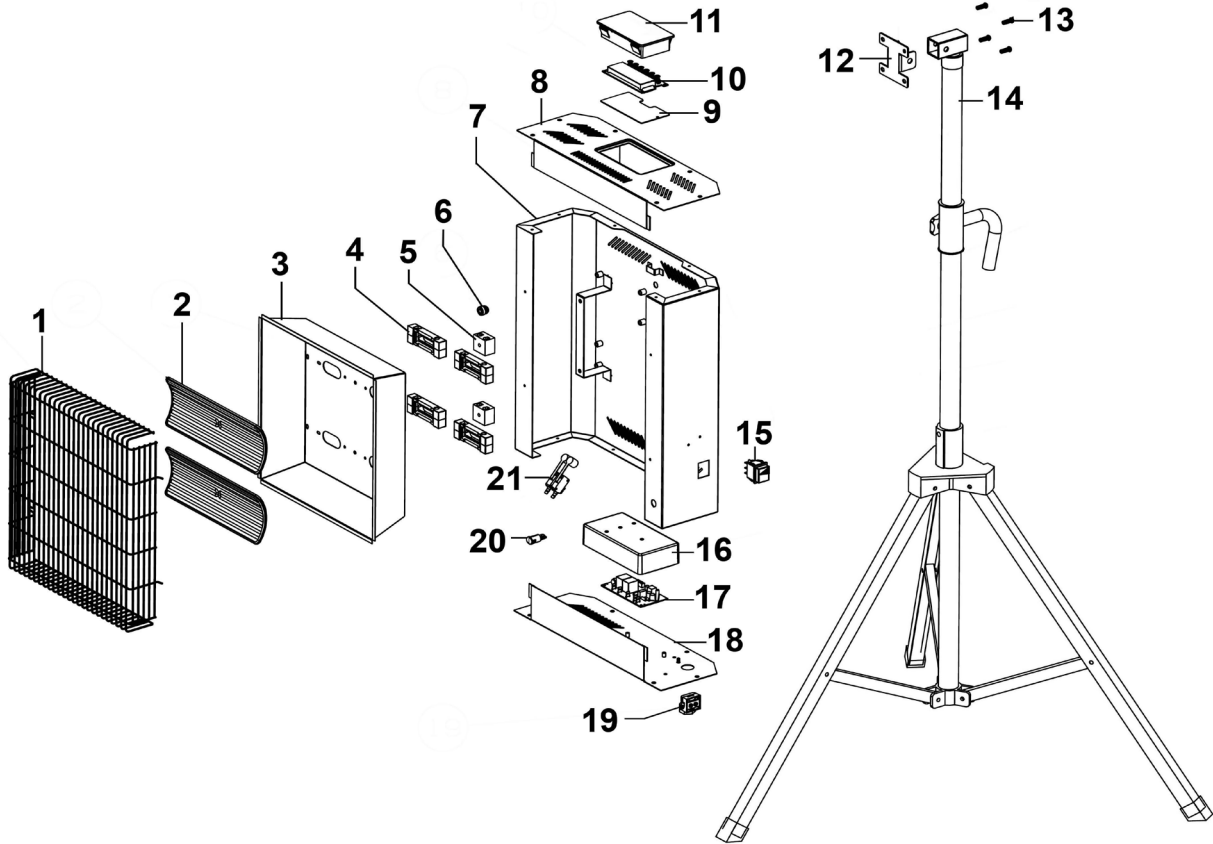




Parts Information:
Ceramic Heater with Tripod Stand
1.4/2.8kW 230V/Ceramic Heater with
Tripod Stand 1.2/2.4kW - 110V
Model No: CH30S & CH30110VS



Item	Part No.	Description	Qty
1	CH30.01	Front Guard	1
2	CH30.02	Ceramic Heating Element	2
2	CH30110V.02	Ceramic Heating Element 110V (CH30110VS Only)	2
3	CH30.03	Reflector	1
4	CH30.04	Ceramic Heating Element Mounting Block (Pair)	8
5	CH30.05	Ceramic Terminal	2
6	CH30.06	Thermocouple Grip	1
7	CH30.07	Main Body	1
7	CH30110V.07	Main Body (CH30110VS Only)	1
8	CH30.08	Top Cover, Main Body	1
9	IR15.15	Base Support, PCB	1
10	IR15.16	PCB, Upper Unit	1
11	IR15.17	PCB Cover, Upper Unit	1
12	CH30S.12	Mounting Bracket	1
12	CH30110VS.12	Mounting Bracket (CH30110VS Only)	1
13	MSP620.S	Machine Screw Pan Head Phillips M6 x 20mm	4

Item	Part No.	Description	Qty
14	CH30S.14	Support Frame	1
14	CH30110VS.14	Support Frame (CH30110VS Only)	1
15	IR15.03	On/Off Switch 250V 16A 125V AC T85/55	1
16	CH30.16	PCB Cover, Lower Unit	1
17	IR15.23	PCB, Lower Unit	1
18	CH30.18	Lower Cover, Main Body	1
19	IR15.20	Cable Grip	1
20	CH30.20	Indicator Light	1
21	CH30.21	Tilt Switch	2
--	CH30.22	PCB Battery 3.7V 0.925Wh (Not Shown)	1
--	SS845.S	Hex Head Set Screw M8 x 45mm (Not Shown)	1
--	NLN8.S	NyLoc Nut M8 (Not Shown)	1
--	FWM8.S	Flat Washer M8 (Not Shown)	1

NOTE: It is our policy to continually improve products and as such we reserve the right to alter data, specifications and component parts without prior notice. There may be alternative versions of this product, please contact us should you require this information.

IMPORTANT: No liability is accepted for incorrect use of product. Spare parts must be fitted by a competent person

WARRANTY: Guarantee is 12 months from purchase date, proof of which will be required for any claim.

Sealey Group, Kempson Way, Suffolk Business Park, Bury St Edmunds, Suffolk. IP32 7AR



01284 757500



sales@sealey.co.uk



www.sealey.co.uk