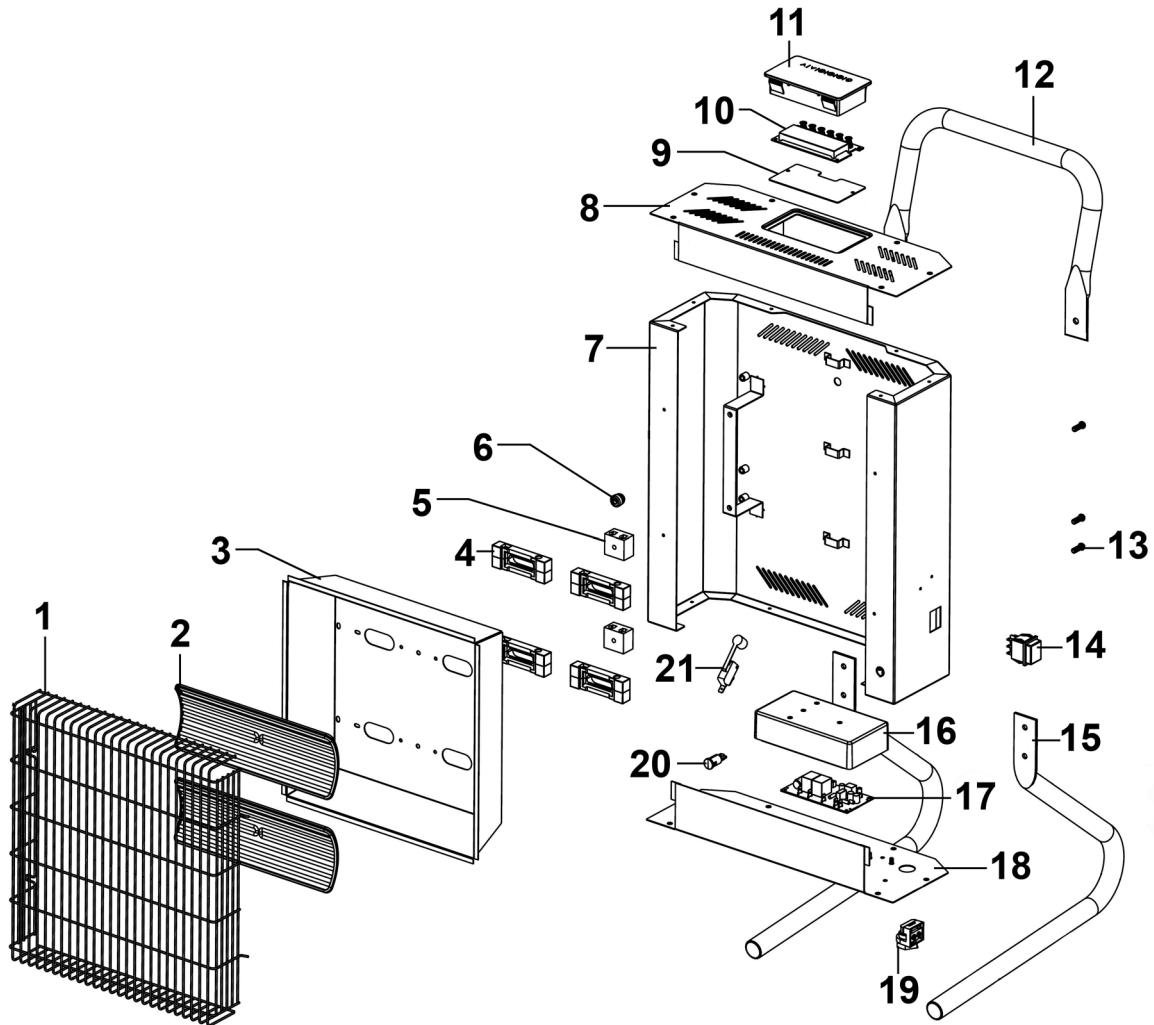




Parts Information:
Ceramic Heater 1.4/2.8kW 230V & Ceramic
Heater 1.2/2.4kW - 110V

Model No: CH30 & CH30110V



Item	Part No.	Description
1	CH30.01	Front Guard
2	CH30.02	Ceramic Heating Element 230V
2	CH30110V.02	Ceramic Heating Element 110V - CH30110V ONLY
3	CH30.03	Reflector
4	CH30.04	Ceramic Heating Element Mounting Block
5	CH30.05	Ceramic Terminal
6	CH30.06	Thermocouple Grip
7	CH30.07	Main Body
7	CH30110V.07	Main Body- CH30110V ONLY
8	CH30.08	Top Cover for Main Body
8	CH30110V.08	Top Cover for Main Body- CH30110V ONLY
9	CH30.09	PCB Base Support
10	CH30.10	PCB (for Upper Unit)
11	CH30.11	PCB Cover (for Upper Unit)

Item	Part No.	Description
12	CH30.12	Handle Frame
12	CH30110V.12	Handle Frame- CH30110V ONLY
13	MSP620.S	Machine Screw Pan Head Phillips M6 x 20mm
14	CH30.14	On/Off Switch
15	CH30.15	Frame, Lower Support
15	CH30110V.15	Frame, Lower Support- CH30110V ONLY
16	CH30.16	PCB Cover (for Lower Unit)
17	CH30.17	PCB (for Lower Unit)
18	CH30.18	Lower Cover for Main Body
18	CH30110V.18	Lower Cover for Main Body-- CH30110V ONLY
19	CH30.19	Cable Grip
20	CH30.20	Indicator Light
21	CH30.21	Tilt Switch

NOTE: It is our policy to continually improve products and as such we reserve the right to alter data, specifications and component parts without prior notice. There may be alternative versions of this product, please contact us should you require this information.

IMPORTANT: No liability is accepted for incorrect use of product. Spare parts must be fitted by a competent person

WARRANTY: Guarantee is 12 months from purchase date, proof of which will be required for any claim.

Sealey Group, Kempson Way, Suffolk Business Park, Bury St Edmunds, Suffolk. IP32 7AR



01284 757500



01284 703534



sales@sealey.co.uk



www.sealey.co.uk