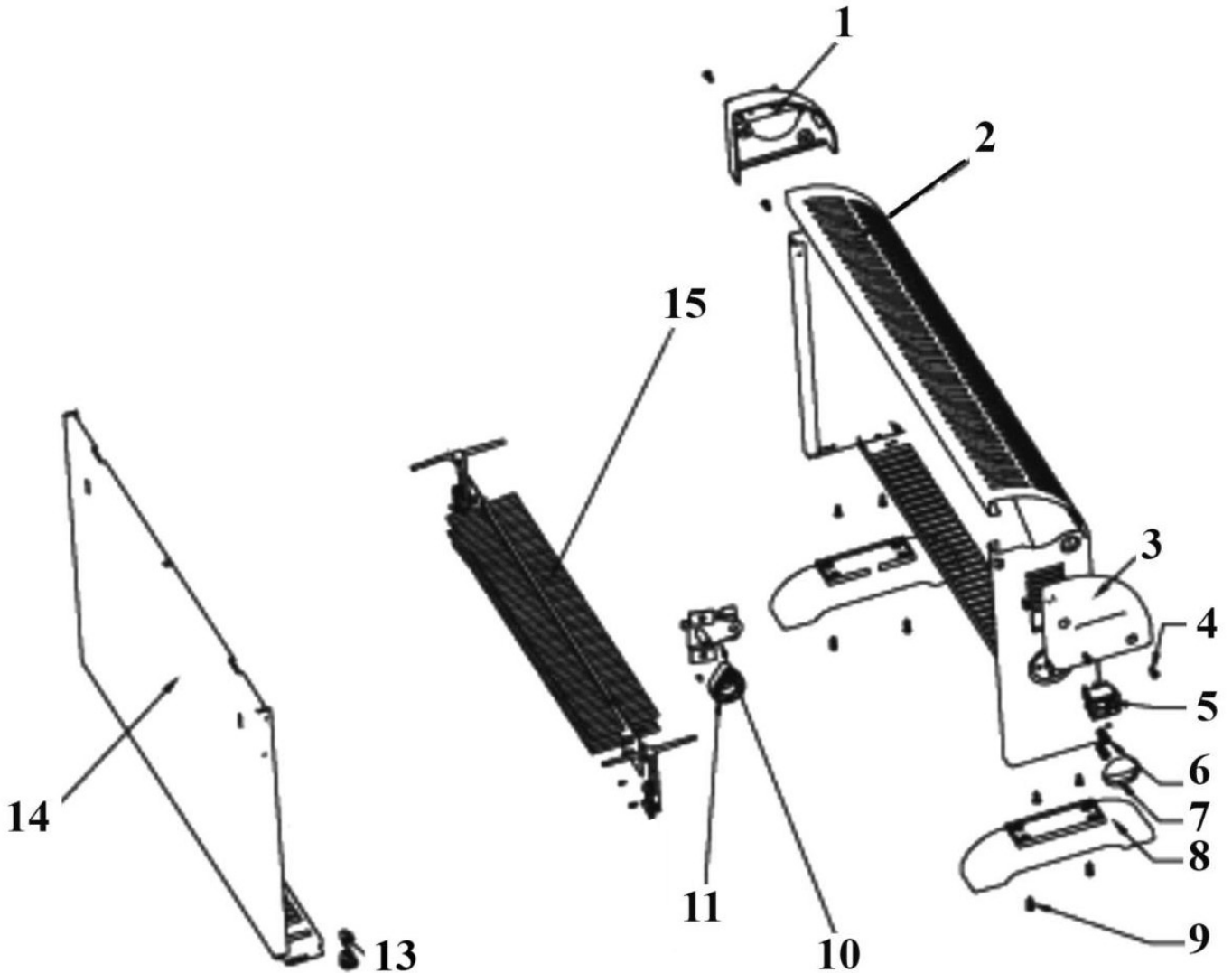




Parts Information:
**Convactor Heater 2000W/230V 3 Heat
 Settings Thermostat**
Model No: CD2005.V2



Item	Part No.	Description
1	CD2005TT.01	Right Handle
2	CD2005.V2-02	Front Cover
3	CD2005TT.03	Left Handle
4	CD2005.V2-04	Screw M4 x 10
5	CD2005.V2-05	Power Switch, Rocker
6	CD2005.V2-06	Screw M4 x 16
7	CD2005.V2-07	Knob

Item	Part No.	Description
8	CD2005TV2-08	Foot
9	CD2005.V2-09	Screw M4 x 12
10	CD2005.V2-10	Thermostat
11	CD2005.V2-11	Thermostat Block
13	CD2005TT.23	Cord Grip
14	CD2005.V2-14	Rear Cover
15	CD2005TT.34	Heating Element

NOTE: It is our policy to continually improve products and as such we reserve the right to alter data, specifications and component parts without prior notice. There may be alternative versions of this product, please contact us should you require this information.

IMPORTANT: No liability is accepted for incorrect use of product. Spare parts must be fitted by a competent person

WARRANTY: Guarantee is 12 months from purchase date, proof of which will be required for any claim.

Sealey Group, Kempson Way, Suffolk Business Park, Bury St Edmunds, Suffolk. IP32 7AR



01284 757500



01284 703534



sales@sealey.co.uk



www.sealey.co.uk