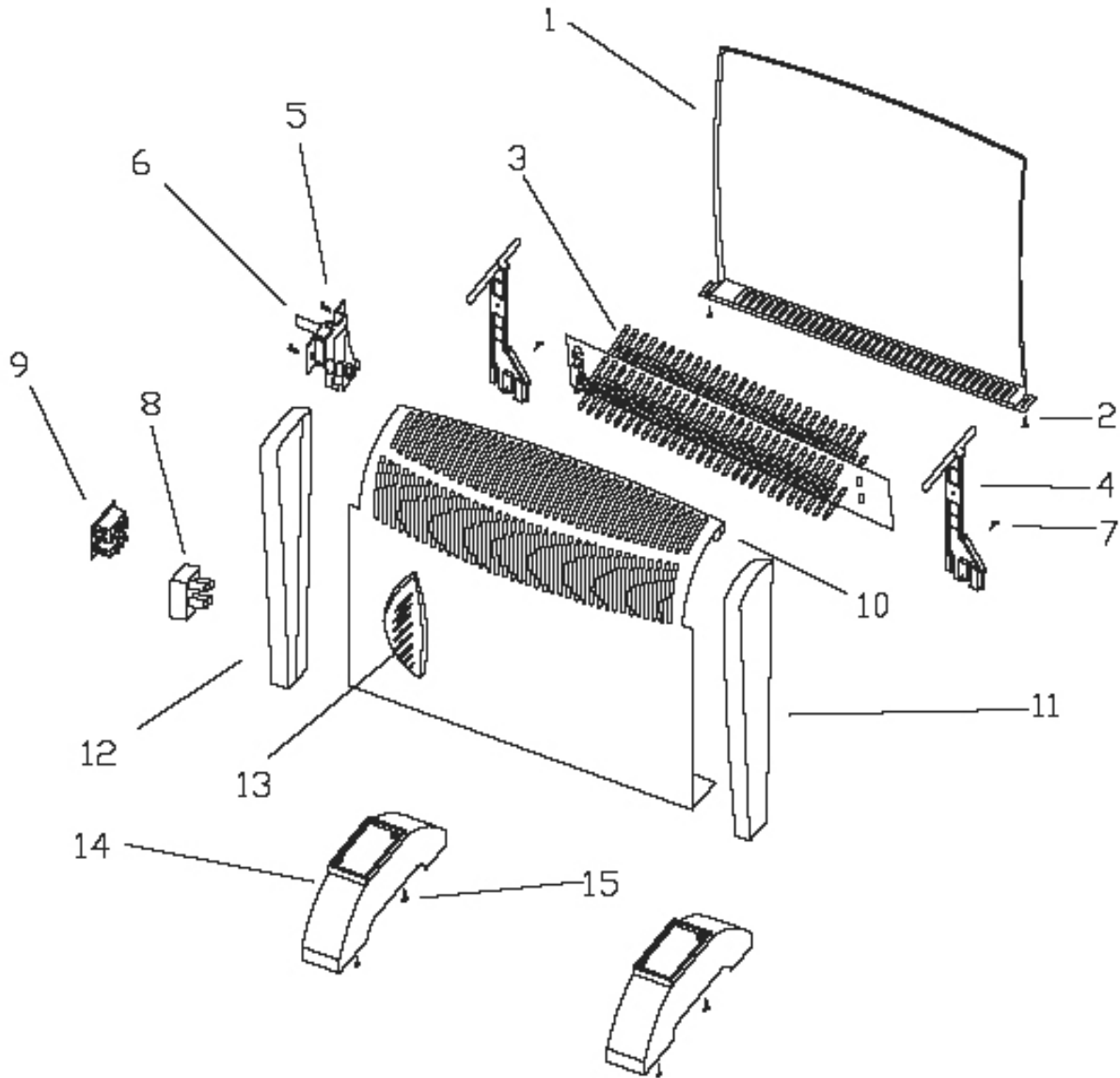


Parts Information:  
**Convactor Heater 2000W/230V 3 Heat Settings Thermostat**  
**Model No: CD2005**



Item	Part No.	Description
1	CD2005.01	Back cover
2	CD2005.02	Screw
3	CD2005.03	Heating Element
4	CD2005.04	Heating Element Bracket
5	CD2005.05	Screw
6	CD2005.06	Thermostat
7	CD2005.07	Screw
8	CD2005.08	Terminal

Item	Part No.	Description
9	CD2005.09	Power Switch, Rocker
10	CD2005.10	Front Cover
11	CD2005.11	Right Casing
12	CD2005.12	Left Casing
13	CD2005.13	Air Outlet
14	CD2005.14	Foot
15	MSP48.S	Machine Screw Pan Head Phillips M4 X 8 mm
--	CD2005.KT	Fixing Kit (Not Shown)

**NOTE:** It is our policy to continually improve products and as such we reserve the right to alter data, specifications and component parts without prior notice. There may be alternative versions of this product, please contact us should you require this information.

**IMPORTANT:** No liability is accepted for incorrect use of product. Spare parts must be fitted by a competent person

**WARRANTY:** Guarantee is 12 months from purchase date, proof of which will be required for any claim.