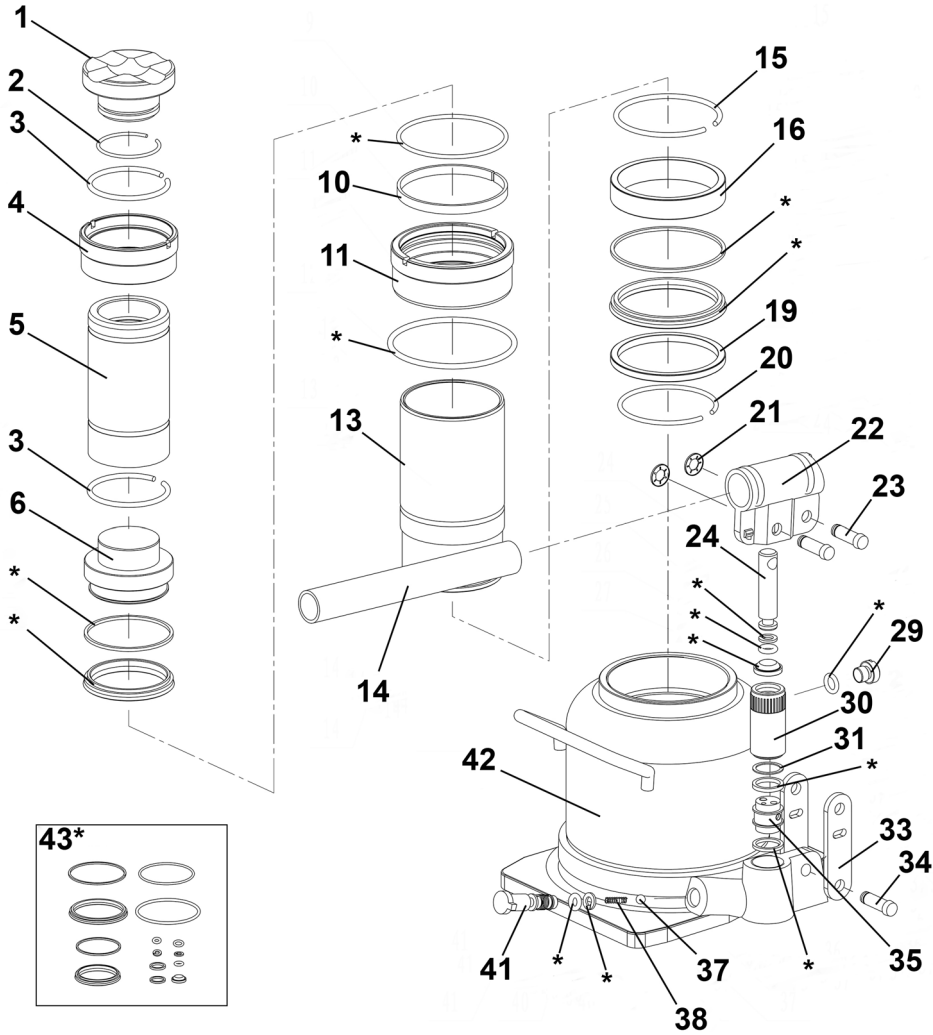




Parts Information:
**Bottle Jack 20 Tonne Low Profile
 Telescopic
 Model No: BJ20LE**



Item	Part No.	Description	Qty
1	BJ20LE-01	Top Nut	1
2	BJ20LE-02	Steel Ring (42 x 2mm)	1
3	BJ20LE-03	Steel Ring (48 x 3.2mm)	2
4	BJ20LE-04	Guide Ring	1
5	BJ20LE-05	Piston Rod	1
6	BJ20LE-06	Piston Head	1
10	BJ20LE-10	Piston Ring	1
11	BJ20LE-11	Guide Ring	1
13	BJ20LE-13	Piston Cylinder	1
14	BJ20LE-14	Pumping Handle (4Pcs)	1
15	BJ20LE-15	Steel Ring (63 x 3.2mm)	1
16	BJ20LE-16	Guide Ring for Piston	1
19	BJ20LE-19	Piston Ring	1
20	BJ20LE-20	Steel Ring (60 x 2.8mm)	1
21	BJ20LE-21	Spring Retainer	3

Item	Part No.	Description	Qty
22	BJ20LE-22	Handle Socket	1
23	BJ20LE-23	Handle Socket Pin	2
24	BJ20LE-24	Pump Core	1
29	BJ20LE-29	Oil Filler Screw	1
30	BJ20LE-30	Pump Housing	1
31	BJ20LE-31	Washer	1
33	BJ20LE-33	Linking Rod	2
34	BJ20LE-34	Linking Rod Pin	1
35	BJ20LE-35	Safety Valve	1
37	SB-6.0	Steel Ball 6.0mm	1
38	BJ20LE-38	Release Valve Spring	1
41	BJ20LE-41	Release Valve	1
42	BJ20LE-42	Base	1
43*	BJ20LE-43	Repair/Seal Kit (See Starred Parts)	1

NOTE: It is our policy to continually improve products and as such we reserve the right to alter data, specifications and component parts without prior notice. There may be alternative versions of this product, please contact us should you require this information.

IMPORTANT: No liability is accepted for incorrect use of product. Spare parts must be fitted by a competent person

WARRANTY: Guarantee is 12 months from purchase date, proof of which will be required for any claim.

Sealey Group, Kempson Way, Suffolk Business Park, Bury St Edmunds, Suffolk. IP32 7AR



01284 757500



sales@sealey.co.uk



www.sealey.co.uk