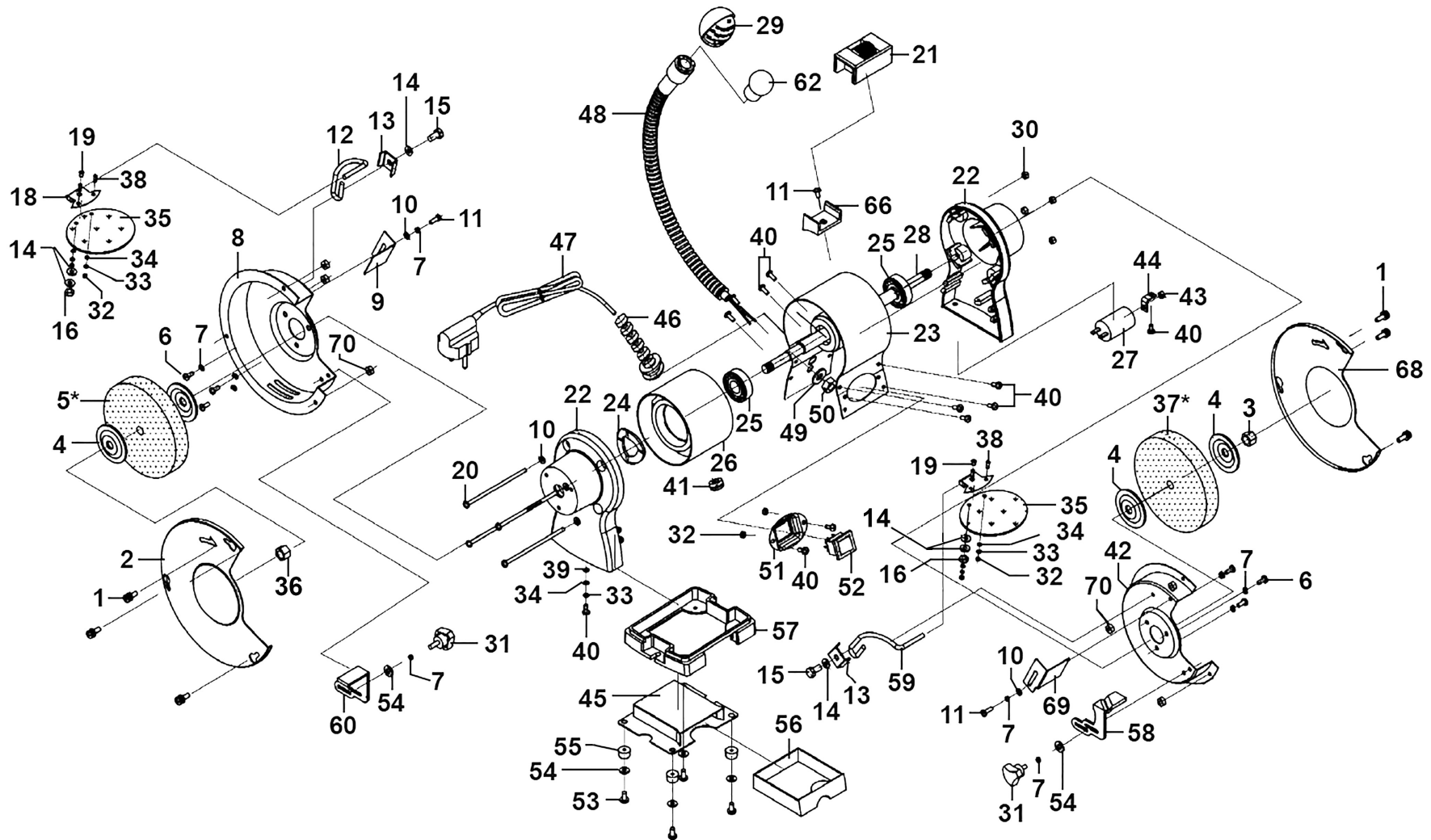




Parts Information:
Bench Grinder Ø200mm with Work Light 550W/230V
Model No: BG200WL



NOTE: It is our policy to continually improve products and as such we reserve the right to alter data, specifications and component parts without prior notice.

There may be alternative versions of this product, please contact us should you require this information.

IMPORTANT: No liability is accepted for incorrect use of product. Spare parts must be fitted by a competent person

WARRANTY: Guarantee is 12 months from purchase date, proof of which will be required for any claim.

Sealey Group, Kempson Way, Suffolk Business Park, Bury St Edmunds, Suffolk. IP32 7AR



01284 757500



sales@sealey.co.uk



www.sealey.co.uk



Parts Information:
**Bench Grinder Ø200mm with Work Light
550W/230V
Model No: BG200WL**

Item	Part No.	Description
1	MSP516.SB	Machine Screw Pan Head Phillips M5 x 16mm Black
2	BG200WL.02	Guard Cover, Left
3	BG200WL.03	M14 x 1.5mm fine Pitch Flange Nut
4	BG200WL.04	Wheel Flange
5*	BG200/15	Grinding Stone Ø200 x 25mm Ø16mm Bore A60P Fine (Please See Catalogue)
6	MSP510.SB	Machine Screw Pan Head Phillips M5 x 10mm Black
7	SWM5.SB	Spring Washer M5 Black
8	BG200WL.08	Inner Guard Cover, Left
9	BG200WL.09	Spark Deflector, Left
10	FWM5.SB	Flat Washer M5 Black
11	MSP58.SB	Machine Screw Pan Head Phillips M5 x 8mm Black
12	BG200WL.12	Eyeshield Mount Rod, Left
13	BG200WL.13	Bracket
14	FWM6.SB	Flat Washer M6 Black
15	BG200WL.15	Hex Bolt M6 x 14mm
16	SN6.S	Steel Nut M6
18	BG200WL.18	Eyeshield Plate
19	CBN618.SB	Coach Bolt M6 x 18mm Black
20	MSP5155.S	Machine Screw Pan Head Phillips M5 x 155mm
21	BG200WL.21	Wheel Dressing Tool
22	BG200WL.22	End Cap
23	BG200WL.23	Motor Housing
24	BG200WL.24	Wavy Washer 39mm
25	BG200WL.25	Ball Bearing (180203)
26	BG200WL.26	Stator
27	BG200WL.27	Capacitor 10µF 450V 50/60Hz CBB60
28	BG200WL.28	Rotor
29	BG200WL.29	Lamp (c/w Guard)
30	SN5.SB	Steel Nut M5 Black
31	BG200WL.31	Work Rest Lock Knob
32	SN4.S	Steel Nut M4 Zinc

Item	Part No.	Description
33	SWM4.SB	Spring Washer M4 Black
34	FWM4.SB	Flat Washer M4 Black
35	BG200WL.35	Eyeshield
36	BG200WL.36	Nut M16 (Left Hand Thread)
37*	BG200/16	Grinding Stone Ø200 x 25mm Ø16mm Bore A36Q Coarse (Please See Catalogue)
38	DAS151.14	Screw M4 x 10mm
39	BG200WL.39	Toothed Locking Washer 4mm
40	MSP410.SB	Machine Screw Pan Head Phillips M4 x 10mm Black
41	BG200WL.41	Cord Bushing
42	BG200WL.42	Inner Guard Cover, Right
44	BG200WL.44	Capacitor Stand
45	BG200WL.45	Base Plate Assembly
46	BG200WL.46	Strain Relief
47	MC3CX0.75	Mains Cable Blk, 3 Core, 0.75 mm ²
48	BG200WL.48	Lamp Assembly
49	SWM10.SB	Spring Washer M10 Black
50	NLN10.S	Nyloc Nut M10
51	BG200WL.51	Fixing Plate, Rocker Switch
52	BG200WL.52	Switch, Rocker - 16A/250V - T85/5E4
53	SCB545.SB	Socket Cap Bolt M5 x 45mm Black
54	RW519.S	Repair Washer M5 x 19mm
55	BG200WL.55	Rubber Foot
56	BG200WL.56	Tool Tray
57	BG200WL.57	Base
58	BG200WL.58	Movable Work Rest, Right
59	BG200WL.59	Eyeshield Mount Rod, Right
60	BG200WL.60	Work Rest, Left
62	BG200WL.62	Bulb
66	BG200WL.66	Dressing Tool Base
68	BG200WL.68	Guard Cover, Right
69	BG200WL.69	Spark Deflector, Right
70	NLN5.S	Nyloc Nut M5

NOTE: It is our policy to continually improve products and as such we reserve the right to alter data, specifications and component parts without prior notice. There may be alternative versions of this product, please contact us should you require this information.

IMPORTANT: No liability is accepted for incorrect use of product. Spare parts must be fitted by a competent person

WARRANTY: Guarantee is 12 months from purchase date, proof of which will be required for any claim.

Sealey Group, Kempson Way, Suffolk Business Park, Bury St Edmunds, Suffolk. IP32 7AR



01284 757500



sales@sealey.co.uk



www.sealey.co.uk