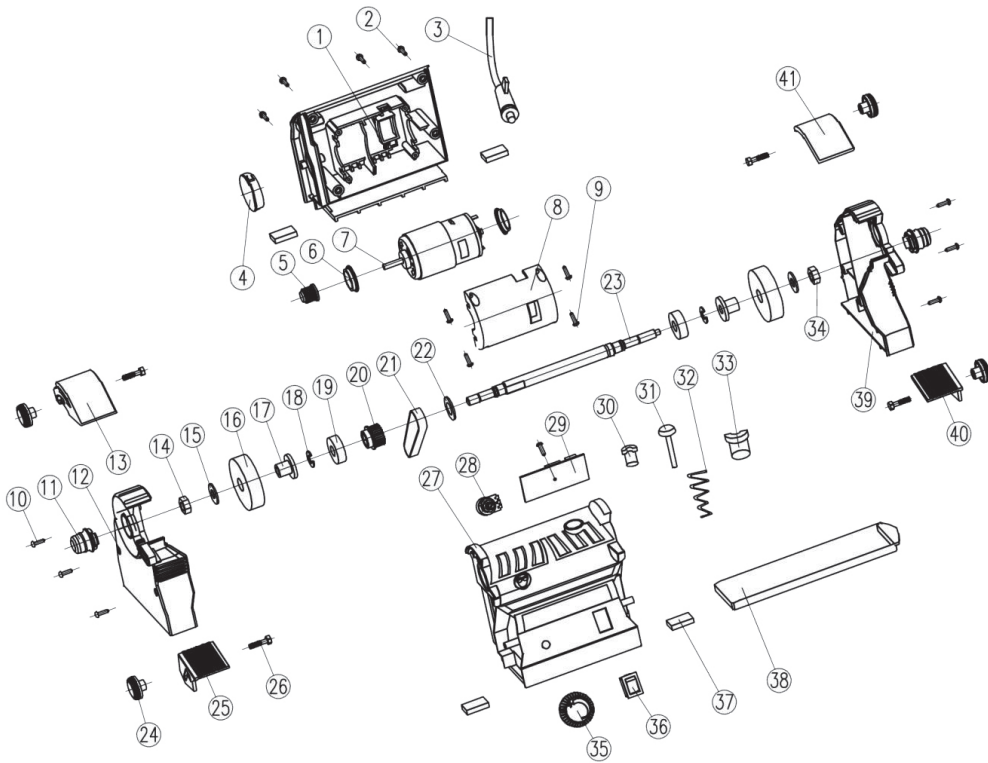


## Parts Information: Mini Bench Grinder Ø50mm - Flexible Drive Shaft Model No: BG1010



Item	Part No.	Description
1	BG1010.01	HOUSING, BACK
2	BG1010.02	SCREW (3.7x16mm)
3	BG1010.03	MAINS CABLE
4	BG1010.04	SIDE CAP
5	BG1010.05	BELT WHEEL (SMALL)
6	BG1010.06	MOTOR CLAMP RING
7	BG1010.07	MOTOR
9	BG1010.08	SCREW
9	BG1010.09	SCREW (2.9x12mm)
10	BG1010.10	SCREW (3x24mm)
11	BG1010.11	END CAP (SMALL)
12	BG1010.12	COVER PLATE, LEFT
13	BG1010.13	EYESHIELD, LEFT
14	SN8.S	STEEL NUT M8 ZINC DIN934 (SINGLE)
15	BG1010.15	WASHER (34x8.2mm)
16	BG1010GW50C	GRINDING WHEEL 50 x 13mm 13mm BORE COARSE
	BG1010GW50F	GRINDING WHEEL 50 x 13mm 1 3mm BORE FINE
	BG1010NPW50	NYLON POLISHING WHEEL 50 x 13mm 6mm BORE
	BG1010WPW50	WOOL POLISHING WHEEL 50 x 13mm 6mm BORE
	BG1010WW50	WIRE WHEEL 50 x 13mm 6mm BORE
17	BG1010.17	BASE
18	BG1010.18	RETAINING RING

Item	Part No.	Description
20	BG1010.20	BELT WHEEL, LARGE
21	BG1010.21	RUBBER BELT
22	BG1010.22	BELT WHEEL RING
23	BG1010.23	MAIN SHAFT
24	BG1010.24	ADJUSTMENT KNOB
25	BG1010.25	TOOL REST, LEFT
26	BG1010.26	SCREW (4x18mm)
27	BG1010.27	FRONT HOUSING
28	BG1010.28	POTENTIOMETER
29	BG1010.29	PCB ASS'Y
30	BG1010.30	LEFT SUPPORT
31	BG1010.31	LOCKING PIN
32	BG1010.32	SPRING
33	BG1010.33	RIGHT SUPPORT
34	SN8.S	STEEL NUT M8 ZINC DIN934 (SINGLE)
35	BG1010.35	SPEED SELECTOR KNOB
36	BG1010.36	ON/OFF SWITCH
37	BG1010.37	RUBBER FOOT
38	BG1010.38	DUST COLLECTOR
39	BG1010.39	COVER PLATE, RIGHT
40	BG1010.40	TOOL REST, RIGHT
41	BG1010.41	EYESHIELD, RIGHT
--	BG1010.42	FLEXIBLE SHAFT (not shown)
--	BG1010.43	CONICAL SCREW (not shown)

**NOTE:** It is our policy to continually improve products and as such we reserve the right to alter data, specifications and component parts without prior notice.

**IMPORTANT:** No liability is accepted for incorrect use of product.

**WARRANTY:** Guarantee is 12 months from purchase date, proof of which will be required for any claim.