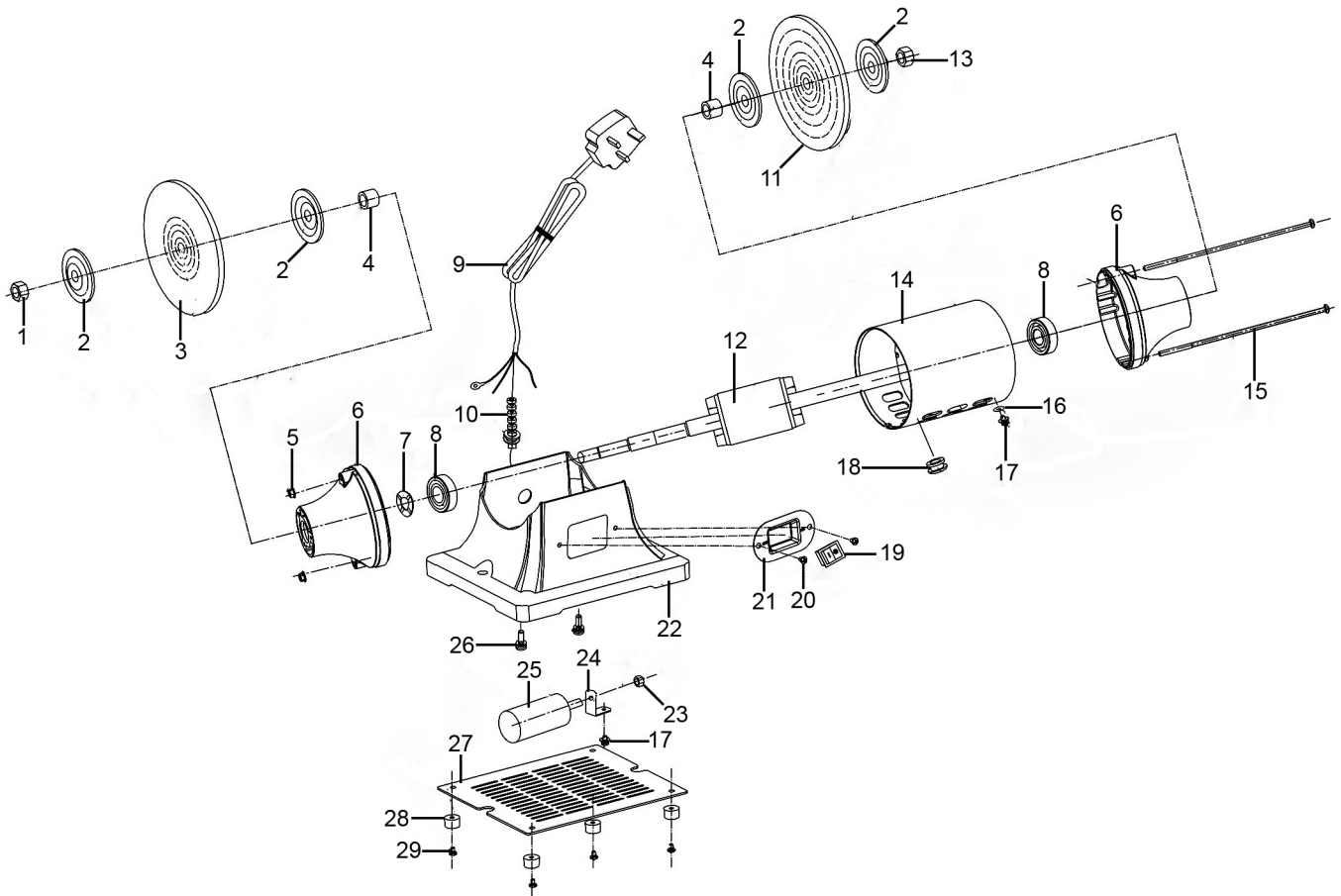




Parts Information:
Bench Mounting Buffer/Polisher 150mm
370W/230V
Model No: BB1502



Item	Part No.	Description
1	SN12.S	Steel Nut M12
2	BB1502.02	Wheel Flange
3	BG150BWC	Buffing Wheel, Coarse
4	BB1502.04	Spacer
5	SN5.S	Steel Nut M5
6	BB2002.06	End Cap
7	BB1502.07	Wavy Washer
8	B/6202	Bearing 6202
9	BB1502.09	Power Cord + Plug
10	BB2002.10	Strain Relief
11	BG150BW	Buffing Wheel, Fine
12	BB1502.12	Rotor
13	SN12.S	Steel Nut M12
14	BB1502.14	Stator
15	BB1502.15	Phillips Screw (c/w Washer)

Item	Part No.	Description
16	BB2002.15	M4 EXT Tooth Washer, Black
17	BB1502.17	Phillips Screw Assembly M4 x 8
18	BB2002.17	Cord Bushing
19	BB2002.18	Power Switch, Rocker
20	MSP58.SB	Machine Screw Pan Head Phillips M5 x 8mm
21	BB2002.20	Switch Plate
22	BB2002.21	Base
23	SN8.S	Steel Nut M8
24	BB2002.23	Capacitor Support
25	BB1502.25	Capacitor
26	BB1502.26	Phillips Screw (c/w Spring Washer) M6 x 20
27	BB2002.26	Base Cover
28	BB2002.27	Rubber Foot
29	BB1502.29	Phillips Screw (c/w Flat Washer) M4 x 12

NOTE: It is our policy to continually improve products and as such we reserve the right to alter data, specifications and component parts without prior notice. There may be alternative versions of this product, please contact us should you require this information.

IMPORTANT: No liability is accepted for incorrect use of product. Spare parts must be fitted by a competent person

WARRANTY: Guarantee is 12 months from purchase date, proof of which will be required for any claim.

Sealey Group, Kempson Way, Suffolk Business Park, Bury St Edmunds, Suffolk. IP32 7AR



01284 757500



01284 703534



sales@sealey.co.uk



www.sealey.co.uk