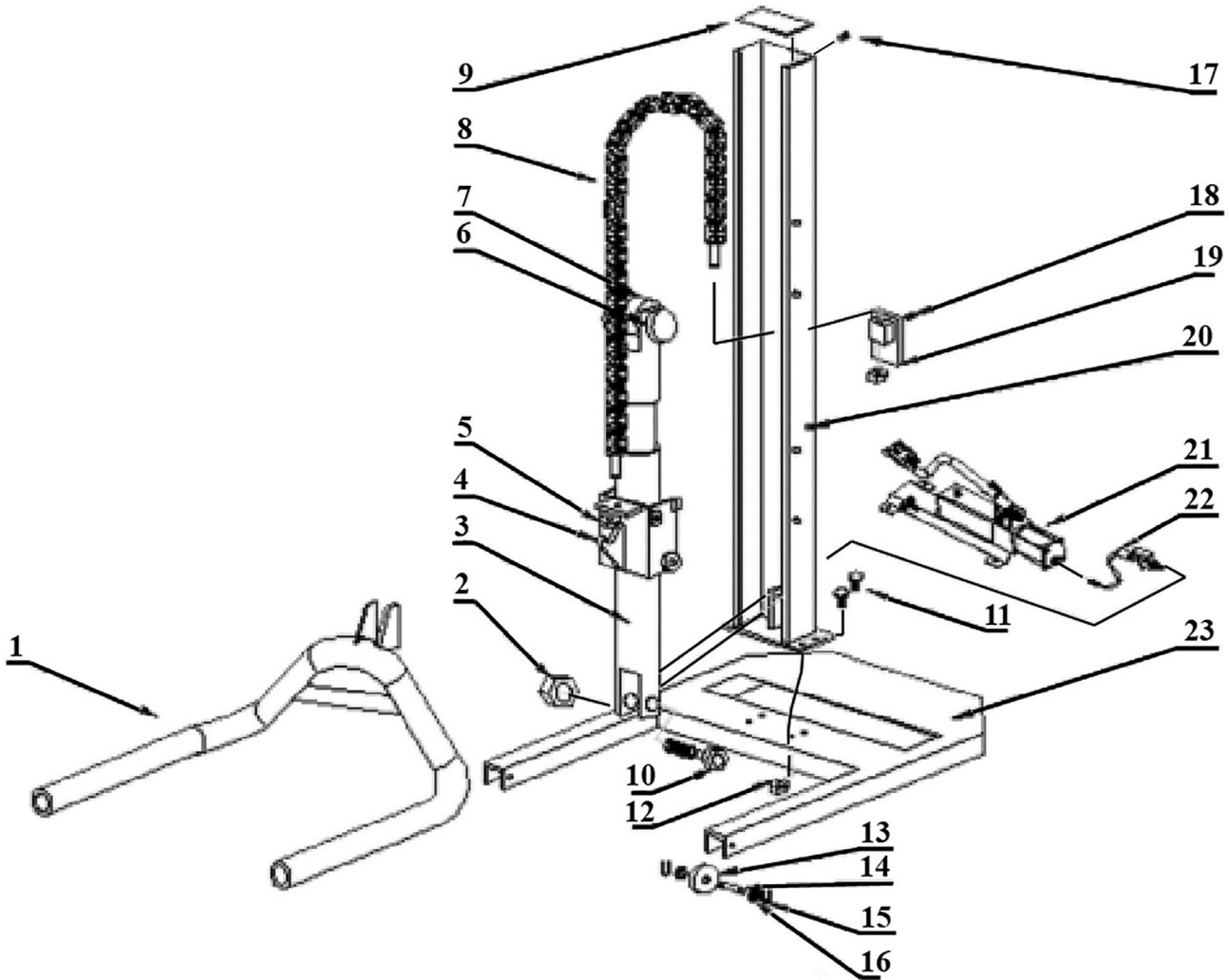


Parts Information:  
**Vehicle Lift 1.5 Tonne Air/Hydraulic with  
 Foot Pedal**  
**Model No: AVR1500FP.V2**



Item	Part No.	Description
1	AVR1500FPV201	Wheel Cradle Adaptor
2	AVR1500FPV202	Fixed Nut
3	AVR1500FPV203	Cylinder
4	AVR1500FPV204	Movable Plate
5	AVR1500FPV205	Bolt
6	AVR1500FPV206	Guide Roller
7	AVR1500FPV207	Chain Wheel
8	AVR1500FPV208	Chain
9	AVR1500FPV209	Cover Plate
10	AVR1500FPV210	Hex Screw
11	AVR1500FPV211	Bolt
12	AVR1500FPV212	Nut
13	AVR1500FPV213	Fixed Roller Castor

Item	Part No.	Description
14	AVR1500FPV214	Wheel Axle
15	AVR1500FPV215	Washer
16	AVR1500FPV216	Circlip
17	AVR1500FPV217	Bolt
18	AVR1500FPV218	Bolt
19	AVR1500FPV219	Back Plate
20	AVR1500FPV220	Vertical Post
21	AVR1500FPV221	Air Pump
22	AVR1500FPV222	On/Off Valve
23	AVR1500FPV223	Base Frame
--	AVR1500FPV224	Stop Bar (C/W Grip)(Not Shown)
--	AVR1500FPV225	Body Lift Adaptor (Not Shown)
--	AVR1500FPV226	Castor Wheel (Not Shown)

**NOTE:** It is our policy to continually improve products and as such we reserve the right to alter data, specifications and component parts without prior notice. There may be alternative versions of this product, please contact us should you require this information.

**IMPORTANT:** No liability is accepted for incorrect use of product. Spare parts must be fitted by a competent person

**WARRANTY:** Guarantee is 12 months from purchase date, proof of which will be required for any claim.