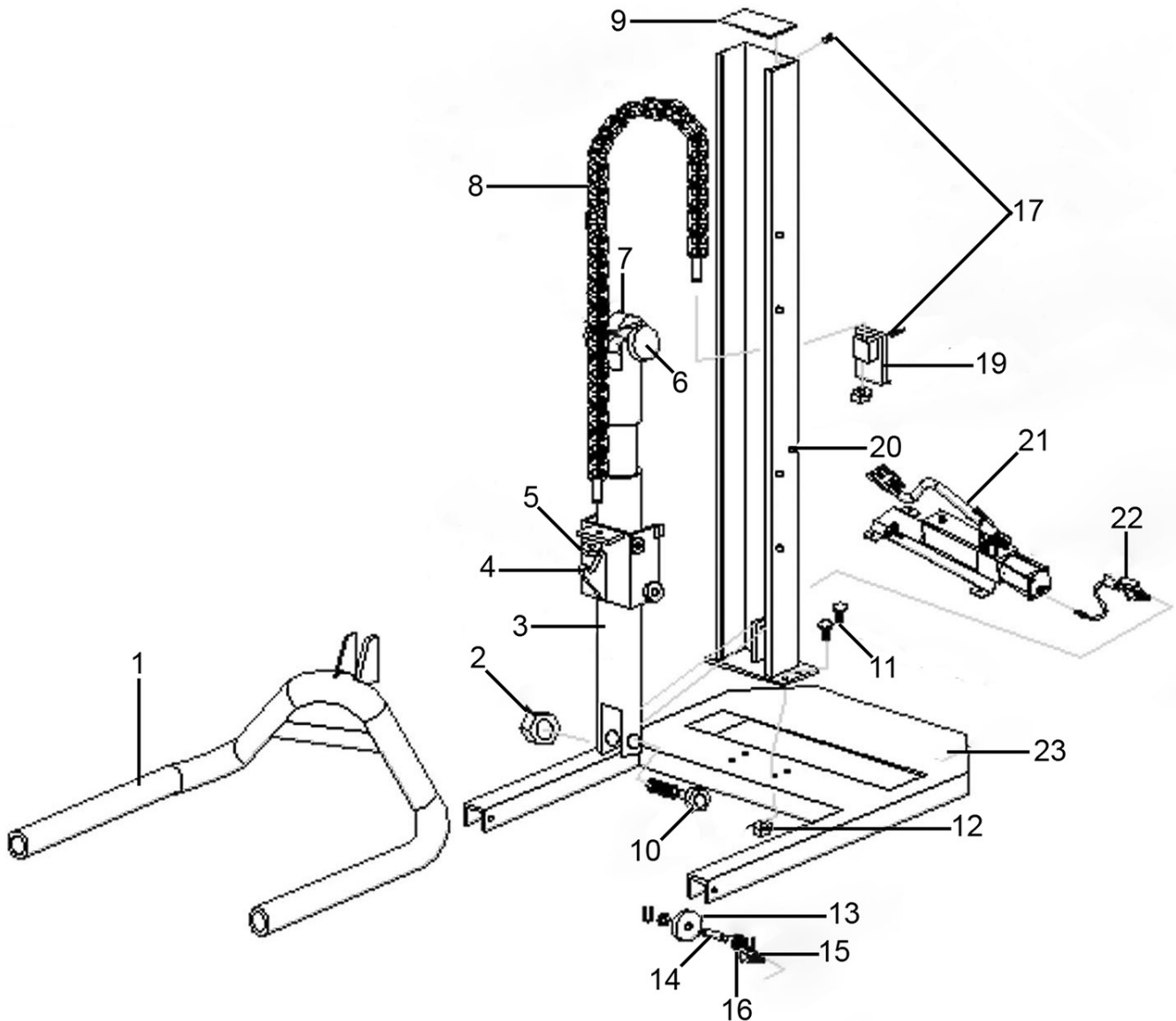


Parts Information:
**Vehicle Lift 1.5tonne Air/Hydraulic with
 Foot Pedal**
Model No: AVR1500FP



| Item | Part No. | Description |
|------|--------------|-------------------------------|
| 1 | AVR1500FP.01 | Wheel Cradle Adaptor |
| 2 | NLN24.S | Nyloc Nut M24 |
| 3 | AVR1500FP.03 | Cylinder |
| 4 | AVR1500FP.04 | Movable Plate |
| 5 | SN16.S | Steel Nut M16 |
| 6 | AVR1500FP.06 | Guide Roller |
| 7 | AVR1500FP.07 | Chain Wheel |
| 8 | AVR1500FP.08 | Chain |
| 9 | AVR1500FP.09 | Cover Plate |
| 10 | AVR1500FP.10 | Hex Screw |
| 11 | SS1235.S | Hex Head Set Screw M12 X 35mm |
| 12 | SN14.S | Steel Nut M14 |

| Item | Part No. | Description |
|------|-----------------|---|
| 13 | AVR1500FP.13 | Wheel, Fixed |
| 14 | AVR1500FP.14 | Wheel Axle |
| 15 | FWM16.S | Flat Washer M16 |
| 16 | SM900/M41 | External Circlip |
| 17 | SCB618.SB | Socket Cap Bolt M6 x 18mm |
| 19 | AVR1500FP.19 | Back Plate |
| 20 | AVR1500FP.20 | Vertical Post |
| 21 | AVR1500FP.21 | Air Pump (c/w Hose) |
| 22 | AVR1500FP.22 | On/Off valve |
| 23 | AVR1500FP.23 | Base Frame |
| -- | AVR1500FP.24 | Stop Bar (c/w Grip) (Not Shown) |
| -- | AVR1500FP.21-EX | Air Pump c/w Hose (Reconditioned) (Not Shown) |

NOTE: It is our policy to continually improve products and as such we reserve the right to alter data, specifications and component parts without prior notice. There may be alternative versions of this product, please contact us should you require this information.

IMPORTANT: No liability is accepted for incorrect use of product. Spare parts must be fitted by a competent person

WARRANTY: Guarantee is 12 months from purchase date, proof of which will be required for any claim.